



Luxecasting  
International Group

# Storz Couplings



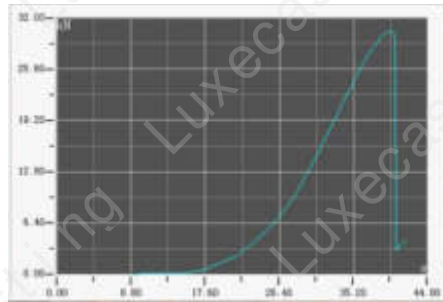


Storz coupling

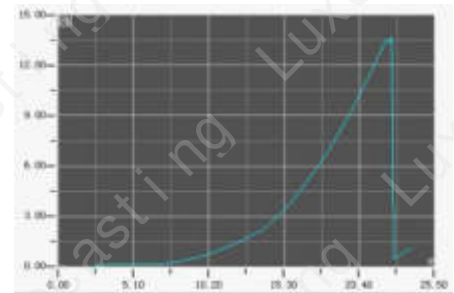


Tensile strength testing

forging couplings



cast couplings



Compression Testing



No crack on Forging surface when compressed by testing machine



casting



forging

\*Comparison chart for Forging storzs and Die casting storzs



forging couplings



cast couplings

Water pressure testing

Craft	Pressure	Time	Result
forging	8MPA	10min	NO Leakage
casting	3MPA	10min	NO Leakage



一切以客户为中心

To serve what customers need.

Luxe-group  
璐克斯集团



Storz coupling



Add: G320 New Century Industrial Park, Gao' an, City, Jiangxi, 330800 China  
<http://www.Luxe-group.cn> [Luxe@Luxe-group.cn](mailto:Luxe@Luxe-group.cn) Tel:0086-795-7066681 Fax:0086-795-7066682



Storz couplings



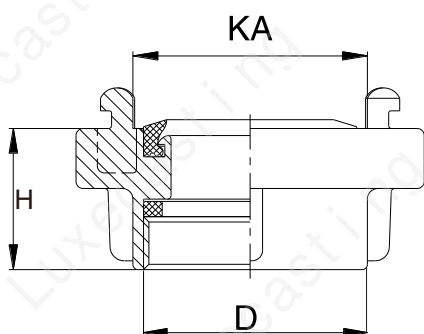
**Ten forging production line**



一切以客户为中心  
To serve what customers need.



Storz coupling



Storz female thread

Name	KA/mm	Code	Weight	Price	D	H	Material
SZF25/13	31	L0812040	0.21		G1/2"	30	SS
SZF25/20	31	L0812042	0.21		G3/4"	30	SS
SZF25	31	L0802002	0.21		G1"	30	SS
SZF32/25	44	L0812045	0.23		G1"	31	SS
SZF32	44	L0812047	0.41		G1 1/4"	31	SS
SZF38/25	51	L0812049	0.44		G1"	33	SS
SZF38/32	51	L0812051	0.49		G1 1/4"	33	SS
SZF38	51	L0812053	0.47		G1 1/2"	33	SS
SZF38/50	51	L0812055	0.52		G2"	37.5	SS
SZF45/50	59	L0812057	0.70		G2"	35	SS
SZF50/25	66	L0812059	0.81		G1"	35.5	SS
SZF50/32	66	L0812061	0.70		G1 1/4"	35.5	SS
SZF50/38	66	L0812063	0.66		G1 1/2"	35.5	SS
SZF50	66	L0802006	0.77		G2"	40	SS
SZF50/65	66	L0812065	0.81		G2 1/2"	40	SS
SZF65/25	81	L0812067	1.54		G1"	36	SS
SZF65/38	81	L0812069	1.31		G1 1/2"	36	SS
SZF65/50	81	L0812071	1.40		G2"	40.5	SS
SZF65	81	L0802008	1.40		G2 1/2"	40.5	SS
SZF65/75	81	L0812074	1.10		G3"	39	SS
SZF75/50	89	L0812076	1.09		G2"	41	SS
SZF75/65	89	L0812078	1.06		G2 1/2"	42	SS
SZF75	89	L0802010	1.26		G3"	41.5	SS
SZF100	115	L0812081	2.64		G4"	48	SS
SZF110	133	L0802011	3.25		G4"	48	SS
SZF110/115	133	L0812084	3.25		G4 1/2"	48	SS

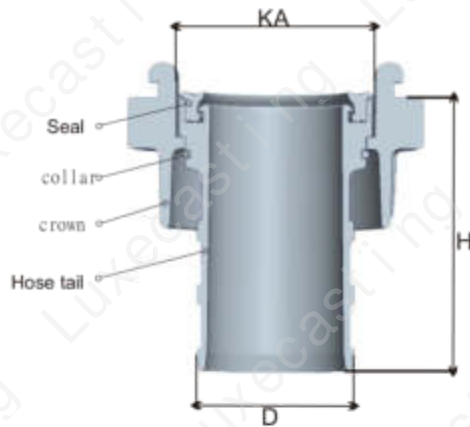


一切以客户为中心  
To serve what customers need.

Luxe-group  
璐克斯集团



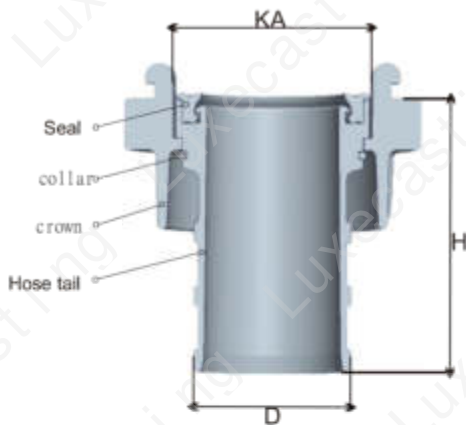
Storz coupling



Suction hose couplings

Name	KA/mm	Code	Weight	Price	D	H	Material
SZT25/20	31	10803072	0.25		20	53	SS
SZT25/23	31	10803074	0.26		24.5	53	SS
SZT32/25	44	10803078	0.40		24.5	70	SS
SZT32/32	44	10803079	0.43		32	90	SS
SZT38/32	51	10803081	0.50		32	90	SS
SZT38/38	51	10803080	0.59		38	90	SS
SZT42/35	66	10803084	0.98		24.5	90	SS
SZT52/32	66	10803086	0.98		32	90	SS
SZT52/38	66	10803088	0.98		38	90	SS
SZT52/45	66	10803090	1.05		45	90	SS
SZT52/50	66	10803092	1.06		50	90	SS
SZT52/52	66	10803096	0.95		32	90	SS
SZT52/60	66	10803095	1.10		60	90	SS
SZT52/64	66	10803097	1.20		64	90	SS
SZT65/38	81	10803098	1.34		38	90	SS
SZT65/52	81	10803100	1.44		52	95	SS
SZT65/63	81	10803102	1.49		63	95	SS
SZT65/65	81	10803098	1.35		65	95	SS
SZT65/75	81	10803105	1.46		75	125	SS
SZT75/52	89	10803115	1.75		52	125	SS
SZT75/63	89	10803117	1.80		63	125	SS
SZT75/65	89	10803119	1.85		65	125	SS
SZT75/75	89	10803010	1.95		75	125	SS
SZT90/90	105	10803108	2.10		90	160	SS
SZT100/100	115	10803110	3.78		100	150	SS
SZT110/100	133	10803112	4.68		100	170	SS
SZT110/110	133	10803012	4.25		110	170	SS
SZT150/150	160	10803149	8.43		150	180	SS





Suction hose couplings

Name	KA/mm	Code	Weight	Price	D	H	Material
SZT25/20	31	10803073	0.26		20	53	BR
SZT25/25	31	10803075	0.26		24.5	53	BR
SZT32/25	44	10803076	0.42		24.5	70	BR
SZT32/32	44	10803077	0.42		32	90	BR
SZT38/32	51	10803083	0.58		32	90	BR
SZT38/38	51	10803082	0.59		38	90	BR
SZT52/25	66	10803085	1.01		24.5	90	BR
SZT52/32	66	10803087	1.04		32	90	BR
SZT52/38	66	10803089	1.01		38	90	BR
SZT52/45	66	10803091	1.14		45	90	BR
SZT52/50	66	10803093	1.15		50	90	BR
SZT52/52	66	10803094	1.15		52	90	BR
SZT52/60	66	10803096	1.26		60	90	BR
SZT52/64	66	10803062	1.30		64	90	BR
SZT65/38	81	10803099	1.41		38	90	BR
SZT65/52	81	10803101	1.45		52	95	BR
SZT65/63	81	10803103	1.45		63	95	BR
SZT65/65	81	10803104	1.50		65	95	BR
SZT65/75	81	10803106	1.55		75	125	BR
SZT75/52	89	10803116	1.90		52	125	BR
SZT75/63	89	10803118	2.00		63	125	BR
SZT75/65	89	10803120	1.90		65	125	BR
SZT75/75	89	10803107	2.08		75	125	BR
SZT90/90	105	10803109	3.30		90	160	BR
SZT100/100	115	10803111	3.25		100	150	BR
SZT110/100	133	10803113	4.88		100	170	BR
SZT110/110	133	10803114	4.88		110	170	BR
SZT150/150	160	10803150	9.05		150	180	BR

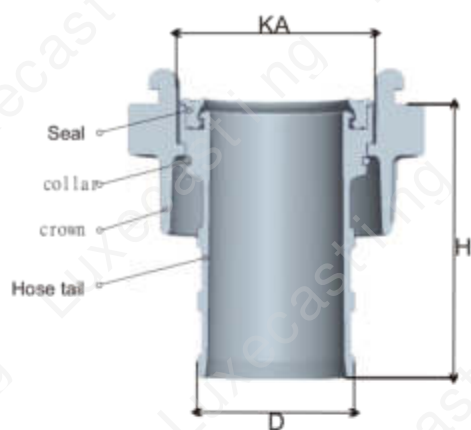


一切以客户为中心  
To serve what customers need.

Luxe-group  
璐克斯集团



Storz coupling



Suction hose couplings

Name	KA/mm	Code	Weight	Price	D.	H	Material
SZT25/20	31	L0803046	0.09		20	53	AL
SZT25/25	31	L0803001	0.09		24.5	53	AL
SZT32/25	44	L0803055	0.14		24.5	70	AL
SZT32/32	44	L0803056	0.19		32	90	AL
SZT38/32	51	L0803048	0.21		32	90	AL
SZT38/38	51	L0803047	0.22		38	90	AL
SZT52/25	66	L0803009	0.37		24.5	90	AL
SZT52/32	66	L0803026	0.37		32	90	AL
SZT52/38	66	L0803027	0.37		38	90	AL
SZT52/45	66	L0803038	0.37		45	90	AL
SZT52/50	66	L0803059	0.37		50	90	AL
SZT52/52	66	L0803006	0.37		52	90	AL
SZT52/60	66	L0803057	0.40		60	90	AL
SZT52/64	66	L0803061	0.41		64	90	AL
SZT65/38	81	L0803063	0.46		38	90	AL
SZT65/52	81	L0803051	0.50		52	95	AL
SZT65/63	81	L0803052	0.49		63	95	AL
SZT65/65	81	L0803053	1.45		65	95	AL
SZT65/75	81	L0803054	0.53		75	125	AL
SZT75/52	89	L0803043	0.66		52	125	AL
SZT75/63	89	L0803042	0.68		63	125	AL
SZT75/65	89	L0803064	0.68		65	125	AL
SZT75/75	89	L0803009	0.71		75	125	AL
SZT90/90	105	L0803058	1.09		90	160	AL
SZT100/100	115	L0803049	1.15		100	150	AL
SZT110/100	133	L0803045	1.77		100	170	AL
SZT110/110	133	L0803011	1.66		110	170	AL
SZT150/150	160	L0803212	2.90		150	180	AL





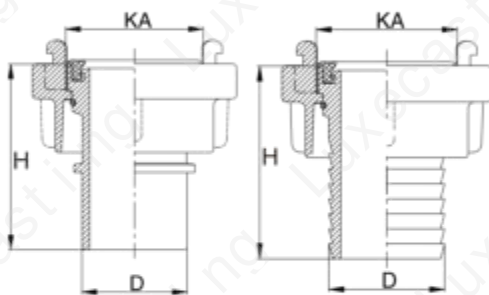


Storz coupling



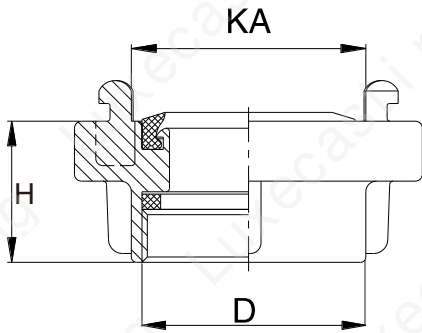
EN14420-3

Suction hose couplings



Name	KA/mm	Code	Weight	Price	D	H	Material
SZST25	31	L0803121			21	50	SS
SZST32	66	L0803123			51	90	SS
SZST75	89	L0803125			76	125	SS
SZST102	133	L0803127			102	170	SS
SZST110	133	L0803129			110	170	SS
SZST150	160	L0803131			150	180	SS
SZDT25	31	L0803133			25.4	69	SS
SZDT52/25	66	L0803135			25.4	90	SS
SZDT52/38	66	L0803137			38.4	90	SS
SZDT52/50	66	L0803139			50.4	90	SS
SZDT75/63	89	L0803141			63.4	125	SS
SZDT75	89	L0803143			75.4	125	SS
SZDT110/100	133	L0803145			100.3	170	SS
SZDT150	160	L0803147			150	180	SS
SZST25	31	L0803122			21	50	BR
SZST32	66	L0803124			51	90	BR
SZST75	89	L0803126			76	125	BR
SZST102	133	L0803128			102	170	BR
SZST110	133	L0803130			110	170	BR
SZST150	160	L0803132			150	180	BR
SZDT25	31	L0803134			25.4	69	BR
SZDT52/25	66	L0803136			25.4	90	BR
SZDT52/38	66	L0803138			38.4	90	BR
SZDT52/50	66	L0803140			50.4	90	BR
SZDT75/63	89	L0803142			63.4	125	SS
SZDT75	89	L0803144			75.4	125	BR
SZDT110/100	133	L0803146			100.3	170	BR
SZDT150	160	L0803148			150	180	BR
SZST25	31	L0803060	0.10		21	50	AL
SZST32	66	L0803065	0.37		51	90	AL
SZST75	89	L0803066	0.88		76	125	AL
SZST102	133	L0803067	1.80		102	170	AL
SZST110	133	L0803068	1.70		110	170	AL
SZST150	160	L0803069			150	180	AL
SZDT25	31	L0803036	0.12		25.4	69	AL
SZDT52/25	66	L0803037			25.4	90	AL
SZDT52/38	66	L0803030	0.40		38.4	90	AL
SZDT52/50	66	L0803031	0.41		50.4	90	AL
SZDT75/63	89	L0803041	0.72		63.4	125	AL
SZDT75	89	L0803040	0.71		75.4	125	AL
SZDT110/100	133	L0803044	1.68		100.3	170	AL
SZDT150	160	L0803070	3.61		150	180	AL





Storz female thread

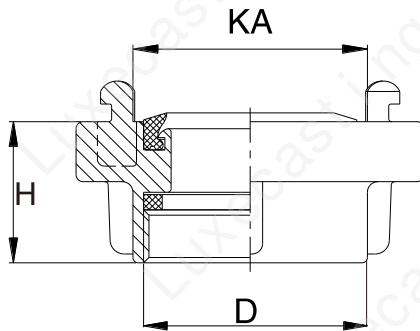
Name	KA/mm	Code	Weight	Price	D	H	Material
SZF25/13	31	L0812041	0.23		G1/2"	30	BR
SZF25/20	31	L0812043	0.23		G3/4"	30	BR
SZF25	31	L0812044	0.23		G1"	30	BR
SZF32/25	44	L0812046	0.25		G1"	31	BR
SZF32	44	L0812048	0.39		G1 1/4"	31	BR
SZF38/25	51	L0812050	0.47		G1"	33	BR
SZF38/32	51	L0812052	0.54		G1 1/4"	33	BR
SZF38	51	L0812054	0.47		G1 1/2"	33	BR
SZF38/50	51	L0812056	0.57		G2"	37.5	BR
SZF45/50	59	L0812058	0.76		G2"	35	BR
SZF50/25	66	L0812060	0.81		G1"	35.5	BR
SZF50/32	66	L0812062	0.74		G1 1/4"	35.5	BR
SZF50/38	66	L0812064	0.66		G1 1/2"	35.5	BR
SZF50	66	L0812035	0.80		G2"	40	BR
SZF50/65	66	L0812066	0.88		G2 1/2"	40	BR
SZF65/25	81	L0812068	1.67		G1"	36	BR
SZF65/38	81	L0812070	1.42		G1 1/2"	36	BR
SZF65/50	81	L0812072	1.51		G2"	40.5	BR
SZF65	81	L0812073	1.51		G2 1/2"	40.5	BR
SZF65/75	81	L0812075	1.20		G3"	39	BR
SZF75/50	89	L0812077	1.22		G2"	41	BR
SZF75/65	89	L0812079	1.24		G2 1/2"	42	BR
SZF75	89	L0812080	1.50		G3"	41.5	BR
SZF100	115	L0812082	2.65		G4"	48	BR
SZF110	133	L0812083	3.77		G4"	48	BR
SZF110/115	133	L0812085	3.77		G4 1/2"	48	BR



一切以客户为中心  
To serve what customers need.



Storz couplings



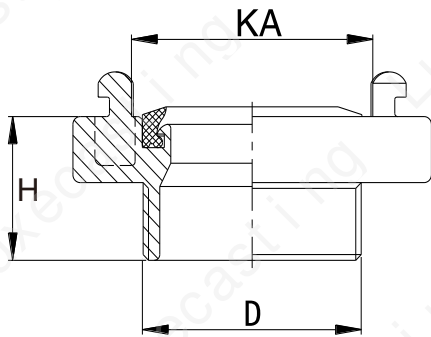
Storz female thread

Name	KA/mm	Code	Weight	Price	D	H	Material
SZF25/13	31	L0812022	0.08		G1/2"	30	AL
SZF25/20	31	L0812021	0.08		G3/4"	30	AL
SZF25	31	L0812001	0.08		G1"	30	AL
SZF32/25	44	L0812024	0.08		G1"	31	AL
SZF32	44	L0812006	0.14		G1 1/4"	31	AL
SZF38/25	51	L0812014	0.15		G1"	33	AL
SZF38/32	51	L0812013	0.17		G1 1/4"	33	AL
SZF38	51	L0812002	0.15		G1 1/2"	33	AL
SZF38/50	51	L0812012	0.18		G2"	37.5	AL
SZF45/50	59	L0812026	0.24		G2"	35	AL
SZF50/25	66	L0812010	0.28		G1"	35.5	AL
SZF50/32	66	L0812008	0.30		G1 1/4"	35.5	AL
SZF50/38	66	L0812007	0.28		G1 1/2"	35.5	AL
SZF50	66	L0812155	0.28		G2"	40	AL
SZF50/65	66	L0812009	0.28		G2 1/2"	40	AL
SZF65/25	81	L0812018	0.53		G1"	36	AL
SZF65/38	81	L0812017	0.45		G1 1/2"	36	AL
SZF65/50	81	L0812016	0.38		G2"	40.5	AL
SZF65	81	L0812004	0.38		G2 1/2"	40.5	AL
SZF65/75	81	L0812015	0.41		G3"	39	AL
SZF75/50	89	L0812023	0.43		G2"	41	AL
SZF75/65	89	L0812027	0.42		G2 1/2"	42	AL
SZF75	89	L0812005	0.42		G3"	41.5	AL
SZF100	115	L0812025	0.85		G4"	48	AL
SZF110	133	L0802012	1.09		G4"	48	AL
SZF110/115	133	L0812011	1.09		G4 1/2"	48	AL





Storz coupling



Storz male thread

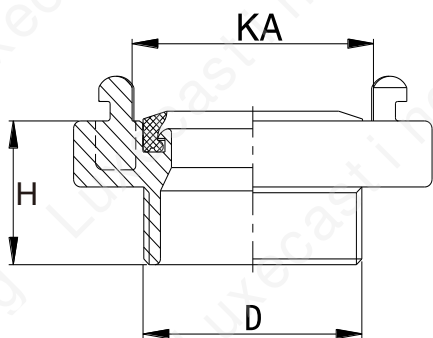
Name	KA/mm	Code	Weight	Price	D	H	Material
SZM25/13	31	L0811025	0.21		G1/2"	33	SS
SZM25/20	31	L0811027	0.21		G3/4"	33	SS
SZM25	31	L0812105	0.21		G1"	33	SS
SZM32/25	44	L0811030	0.34		G1"	34	SS
SZM32	44	L0811032	0.37		G1 1/4"	34	SS
SZM40	51	L0811034	0.45		G1 1/2"	32.5	SS
SZM50/25	66	L0811036	0.75		G1"	30	SS
SZM50/32	66	L0811038	0.72		G1 1/4"	30	SS
SZM50/38	66	L0811040	0.72		G1 1/2"	34	SS
SZM50	66	L0801006	0.65		G2"	36	SS
SZM65/38	81	L0811043	0.99		G1 1/2"	35.5	SS
SZM65/50	81	L0811045	1.02		G2"	37.5	SS
SZM65	81	L0801008	1.07		G2 1/2"	37.5	SS
SZM65/75	81	L0811048	1.08		G3"	37.5	SS
SZM80/65	89	L0811050	1.08		G2 1/2"	38	SS
SZM80	89	L0801010	1.32		G3"	38	SS
SZM110	133	L0801012	2.92		G4"	47	SS



一切以客户为中心  
To serve what customers need.



Storz coupling



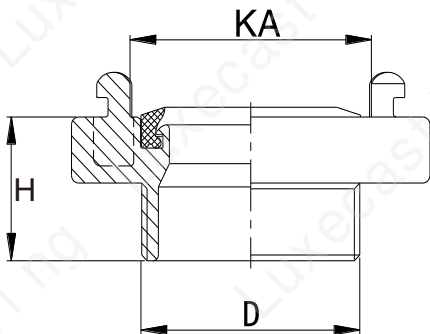
Storz male thread

Name	KA/mm	Code	Weight	Price	D	H	Material
SZM25/13	31	L0811019	0.07		G1/2"	33	AL
SZM25/20	31	L0811020	0.07		G3/4"	33	AL
SZM25	31	L0811006	0.07		G1"	33	AL
SZM32/25	44	L0811012	0.12		G1"	34	AL
SZM32	44	L0811011	0.14		G1 1/4"	34	AL
SZM40	51	L0811007	0.14		G1 1/2"	32.5	AL
SZM50/25	66	L0811022	0.25		G1"	30	AL
SZM50/32	66	L0811015	0.25		G1 1/4"	30	AL
SZM50/38	66	L0811014	0.25		G1 1/2"	34	AL
SZM50	66	L0801005	0.21		G2"	36	AL
SZM65/38	81	L0811018	0.36		G1 1/2"	35.5	AL
SZM65/50	81	L0811017	0.36		G2"	37.5	AL
SZM65	81	L0811009	0.38		G2 1/2"	37.5	AL
SZM65/75	81	L0811016	0.33		G3"	37.5	AL
SZM80/65	89	L0811021	0.36		G2 1/2"	38	AL
SZM80	89	L0801009	0.39		G3"	38	AL
SZM110	133	L0801011	1.01		G4"	47	AL





Storz couplings



Storz male thread

Name	KA/mm	Code	Weight	Price	D	H	Material
SZM25/13	31	L0811026	0.23		G1/2"	33	BR
SZM25/20	31	L0811028	0.23		G3/4"	33	BR
SZM25	31	L0811029	0.22		G1"	33	BR
SZM32/25	44	L0811031	0.35		G1"	34	BR
SZM32	44	L0811033	0.40		G1 1/4"	34	BR
SZM40	51	L0811035	0.40		G1 1/2"	32.5	BR
SZM50/25	66	L0811037	0.78		G1"	30	BR
SZM50/32	66	L0811039	0.73		G1 1/4"	30	BR
SZM50/38	66	L0811041	0.74		G1 1/2"	34	BR
SZM50	66	L0811042	0.61		G2"	36	BR
SZM65/38	81	L0811044	1.05		G1 1/2"	35.5	BR
SZM65/50	81	L0811046	1.10		G2"	37.5	BR
SZM65	81	L0811047	1.15		G2 1/2"	37.5	BR
SZM65/75	81	L0811049	1.16		G3"	37.5	BR
SZM80/65	89	L0811051	1.16		G2 1/2"	38	BR
SZM80	89	L0811052	1.34		G3"	38	BR
SZM110	133	L0811053	3.15		G4"	47	BR



一切以客户为中心  
To serve what customers need.

Luxe-group  
璐克斯集团



### Storz swivel female thread



Name	Size	A	B	Code	Weight	Price	Material
KA133-G4			G4"	L0812129			SS
KA89-G2.5			G2.5"	L0812130			SS
KA133-G4			4"	L0812204			AL
KA133-G4			4"	L0812205			AL
KA66-G2			G2"	L0812207			AL
KA89-G3			G3"	L0812208			AL
KA89-G21/2			G21/2"	L0812213			AL
KA133-G4			G4"	L0812214			AL
KA66-G2			G2"	L0812224			AL
KA133-G4			4"	L0812229			AL
KA133-G4			4"	L0812230			AL

Storz coupling

### Storz swivel male thread



Name	Size	A	B	Code	Weight	Price	Material
KA89-G2			2"	L0811141			SS
KA133-G3			3"	L0811142			SS
KA66-G2			G2"	L0811153			AL
KA89-G21/2			G21/2"	L0811154			AL
KA89-G3			G3"	L0811155			AL
KA133-G4			G4"	L0811156			AL

### Female with lock

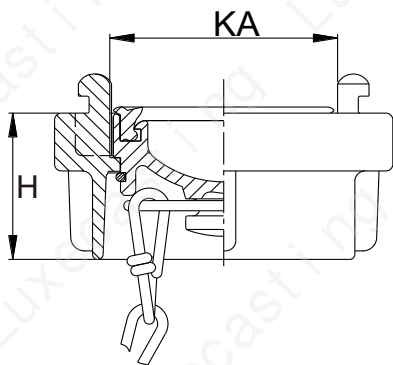


KA/mm	Code	Weight	Price	D	H	Material
66	L0812132			G2"		AL
89	L0812133			G3"		AL
115	L0812131			G4"		AL
133	L0812118			G4"		AL





Storz Blind Cap With Chain



Name	KA/mm	Code	Weight	Price	D	H	Material
SZC25	31	L0804002	0.25			28	SS
SZC32	44	L0804031	0.38			27.5	SS
SZC38	51	L0804033	0.50			34	SS
SZC45	59	L0804034	0.87			32	SS
SZC50	66	L0804006	0.88			43	SS
SZC65	81	L0804008	1.27			35	SS
SZC80	89	L0804010	1.34			45	SS
SZC90	105	L0804038	2.33			43	SS
SZC100	115	L0804040	3.17			48	SS
SZC110	133	L0804012	3.65			48	SS

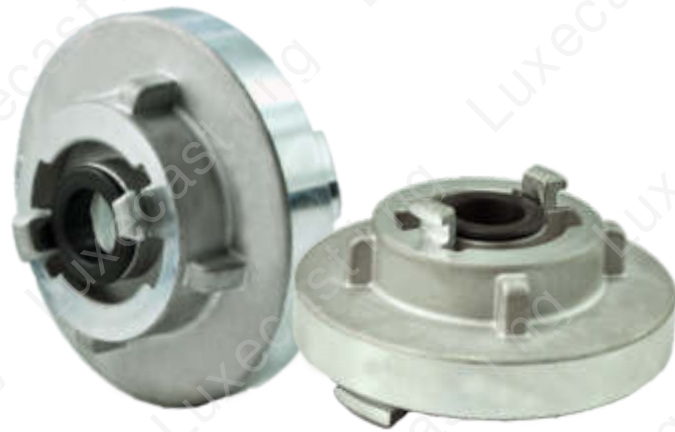
SZC25	31	L0804030	0.26			28	BR
SZC32	44	L0804032	0.37			27.5	BR
SZC38	51	L0804028	0.50			34	BR
SZC45	59	L0804035	0.94			32	BR
SZC50	66	L0804027	1.07			43	BR
SZC65	81	L0804036	1.27			35	BR
SZC80	89	L0804037	1.46			45	BR
SZC90	105	L0804039	2.52			43	BR
SZC100	115	L0804041	3.43			48	BR
SZC110	133	L0804042	3.73			48	BR

SZC25	31	L0804001	0.09			28	AL
SZC32	44	L0804026	0.13			27.5	AL
SZC38	51	L0804017	0.17			34	AL
SZC45	59	L0804025	0.30			32	AL
SZC50	66	L0804013	0.38			43	AL
SZC65	81	L0804016	0.46			35	AL
SZC80	89	L0804014	0.56			45	AL
SZC90	105	L0804029	0.80			43	AL
SZC100	115	L0804018	0.56			48	AL
SZC110	133	L0804015	1.34			48	AL

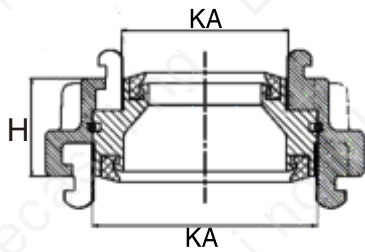




一切以客户为中心  
To serve what customers need.



Storz Reducer



Name	KA/mm	Code	Weight	Price	KA/mm	H	Material
SZW52/25	66/31	L0815004			52/25	33	SS
SZW75/52	89/66	L0815005			75/52	39	SS
SZW110/75	133/89	L0815006			110/75	48	SS
SZW52/25	66/31	L0815007			52/25	33	BR
SZW75/52	89/66	L0815008			75/52	39	BR
SZW110/75	133/89	L0815009			110/75	48	BR
SZW52/25	66/31	L0815001	0.31		52/25	33	AL
SZW75/52	89/66	L0815002	0.60		75/52	39	AL
SZW110/75	133/89	L0815003	1.57		110/75	48	AL



Storz reducer with locking

Name	KA/mm	Code	Weight	Price	KA/mm	H	Material
KA133-KA115	115	B0815017			100		AL
KA148-KA115	133	B0815013			110		AL
KA148-KA133	148	B0815016			125		AL
KA160-KA148	160	B0815014			150		AL





Storz couplings with segmented binding and latches

Name	KA/mm	Code	Weight	Price	D	H	Material
KA115-100	115	L0803179			100		AL
KA133-110	133	L0803188			110		AL
KA148-125	148	L0803180			125		AL
KA160-150	160	L0803181			150		AL



一切以客户为中心  
To serve what customers need.



Storz couplings



Mole couplings

Name	Size	Code	Weight	Price	D	H	Material
DN25	1"	L0808014					AL
Dn50	2"	L0808010					AL



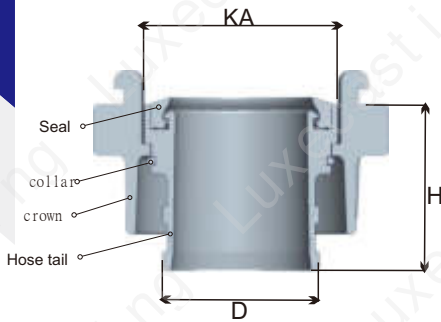
Reducing coupling aslope( 45° )

Name	Size	Code	Weight	Price	D	H	Material
Z1101	52-C	L0808016					AL





Storz couplings



Name	KA/mm	Code	Weight	Price	D	H	Material
KA66-42	66	L0803422			42	55	AL
KA66-42	66	L0803264			42	68	AL
KA89-52	89	L0803161			52	55	AL
KA66-75	66	L0803172			75	60	AL

Suction hose couplings

Flange x storz



storz x clamps EN14420-3



storz x gardon couplings



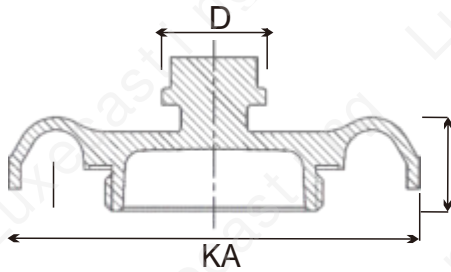
STORZ x BS336



一切以客户为中心  
To serve what customers need.



Storz coupling

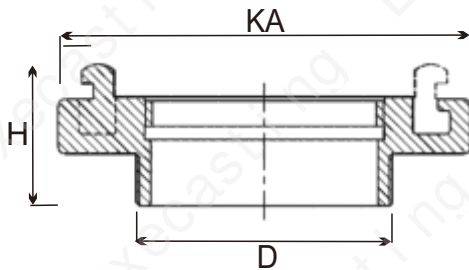


Storz Blind CAP

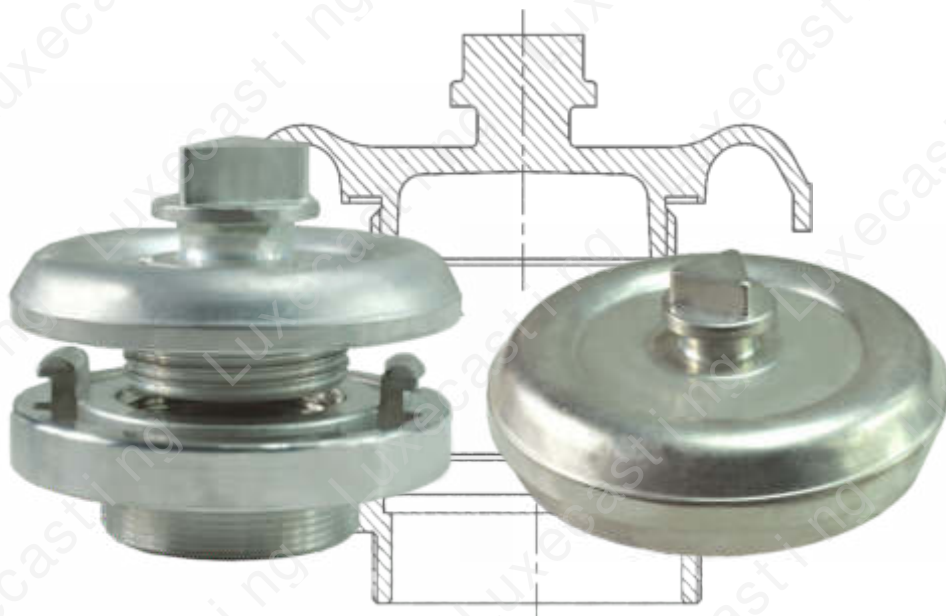
Name	KA/mm	Code	Weight	Price	D	H	Material
KA89-RD65	126	L0804055	0.46		47	66	AL
KA133-RD105	198	L0804054	1.05		49	74	AL



Male



Name	KA/mm	Code	Weight	Price	D	H	Material
KA89-RD65	126	L0811132	0.39		1/6-G2.5"	66	AL
KA133-RD105	198	L0811131	0.99		1/4-G4"	74	AL





Storz coupling



Storz Long male thread

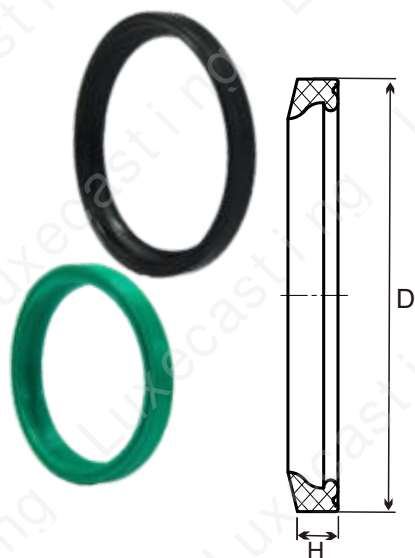
Name	KA/mm	Code	Weight	Price	D	H	Material
SLM25	31	L0811061			G1"	44	SS
SLM32	44	L0811062			G1 1/4"		SS
SLM38	51	L0811063			G1 1/2"	51	SS
SLM50	66	L0811064			G2"	60	SS
SLM65	81	L0811065			G2 1/2"	62.5	SS
SLM75	89	L0811066			G3"	63.5	SS
SLM110	133	L0811067			G4"		SS
SLM25	31	L0811068			G1"	44	BR
SLM32	44	L0811069			G1 1/4"		BR
SLM38	51	L0811070			G1 1/2"	51	BR
SLM50	66	L0811071			G2"	60	BR
SLM65	81	L0811072			G2 1/2"	62.5	BR
SLM75	89	L0811073			G3"	63.5	BR
SLM110	133	L0811074			G4"		BR
SLM25	31	L0811054			G1"	44	AL
SLM32	44	L0811055			G1 1/4"		AL
SLM38	51	L0811056	0.22		G1 1/2"	51	AL
SLM50	66	L0811057			G2"	60	AL
SLM65	81	L0811058	0.65		G2 1/2"	62.5	AL
SLM75	89	L0811059			G3"	63.5	AL
SLM110	133	L0811060			G4"		AL



一切以客户为中心  
To serve what customers need.



Storz coupling



Seals for delivery operation

KA/mm	Code	Weight	Price	D	H	Material
51	L0805012			46	10	NBR-Black
66	L0805001			60	10.5	NBR-Black
89	L0805009			82	10.5	NBR-Black
115	L0805042			108	10.5	NBR-Black
133	L0805011			124	12.5	NBR-Black
148	L0805039			138	13.1	NBR-Black
160	L0805038			152	13.1	NBR-Black
51	L0805136			46	10	VITON-Green
66	L0805137			60	10.5	VITON-Green
89	L0805139			82	10.5	VITON-Green
115	L0805141			108	10.5	VITON-Green
133	L0805142			124	12.5	VITON-Green
148	L0805143			138	13.1	VITON-Green
160	L0805144			152	13.1	VITON-Green



Seals for delivery and suction operation

KA/mm	Code	Weight	Price	D	H	Material
31	L0805010			29.5	9	NBR-Black
51	L0805008			51	10	NBR-Black
66	L0805002			64	10.5	NBR-Black
81	L0805007			79	10.5	NBR-Black
89	L0805003			87	10.5	NBR-Black
133	L0805004			130	12.5	NBR-Black
148	L0805040			144	13.1	NBR-Black
160	L0805029			158	13.1	NBR-Black
31	L0805074			29.5	9	NBR-White
51	L0805076			51	10	NBR-White
66	L0805078			64	10.5	NBR-White
81	L0805079			79	10.5	NBR-White
89	L0805080			87	10.5	NBR-White
133	L0805083			130	12.5	NBR-White
148	L0805084			144	13.1	NBR-White
160	L0805085			158	13.1	NBR-White
31	L0805145			29.5	9	VITON-Green
51	L0805147			51	10	VITON-Green
66	L0805149			64	10.5	VITON-Green
81	L0805150			79	10.5	VITON-Green
89	L0805151			87	10.5	VITON-Green
133	L0805154			130	12.5	VITON-Green
148	L0805155			144	13.1	VITON-Green
160	L0805156			158	13.1	VITON-Green





国  
标  
消  
防  
接  
扣



尾管

Name	KD/mm	Code	Weight	Price	D	H	Material
SZT25/25GB	KD25	L3905001			G1"		AL
SZT32/32GB	KD32	L3905002			G1 1/4"		AL
SZT38/38GB	KD38	L3905003			G1 1/2"		AL
SZT50/50GB	KD50	L3905004			G2"		AL
SZT65/65GB	KD65	L3905005			G2 1/2"		AL
SZT75/75GB	KD75	L3905006			G3"		AL
SZT110/110GB	KD110	L3905007			G4"		AL
SZT25/25GB	KD25	L3905008			G1"		BR
SZT32/32GB	KD32	L3905009			G1 1/4"		BR
SZT38/38GB	KD38	L3905010			G1 1/2"		BR
SZT50/50GB	KD50	L3905011			G2"		BR
SZT65/65GB	KD65	L3905012			G2 1/2"		BR
SZT75/75GB	KD75	L3905013			G3"		BR
SZT110/110GB	KD110	L3905014			G4"		BR



内螺

Name	KD/mm	Code	Weight	Price	D	H	Material
KD25	KD25	L3901005			G1"		AL
KD32	KD32	L3901006			G1 1/4"		AL
KD38	KD38	L3901007			G1 1/2"		AL
KD50	KD50	L3901002			G2"		AL
KD65	KD65	L3901001			G2 1/2"		AL
KD80	KD75	L3901003			G3"		AL
KD100	KD110	L3901004			G4"		AL
KD25	KD25	L3901008			G1"		BR
KD32	KD32	L3901009			G1 1/4"		BR
KD38	KD38	L3901010			G1 1/2"		BR
KD50	KD50	L3901011			G2"		BR
KD65	KD65	L3901012			G2 1/2"		BR
KD80	KD75	L3901013			G3"		BR
KD100	KD110	L3901014			G4"		BR







# Luxecasting International Group

Distribution Center Germany

Production Center Germany

• Distribution Center Poland

Production Center China

## Production Center :

**LUXECASTING Machinery +86 795 7066 681**

**LUXECASTING Germany +49 5232 9226 0**

## Distribution Center :

**LUXECASTING Europe +49 210 450 839 21**

**LUXECASTING Poland +48 503 834 570**

[info@luxecasting.com](mailto:info@luxecasting.com)

[www.luxecasting.com](http://www.luxecasting.com)