



# Ball Valve

Industrial Couplings



*Luxe-group*

Manufacture



我们正在为做流体技术行业典范而努力。  
We are becoming the modle of Fluid Technclogy.



Luxe-group  
璐克斯集团

球阀  
Ball valve

Ball valve



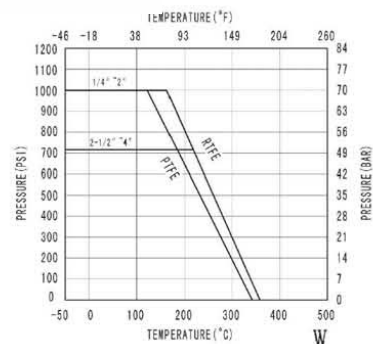
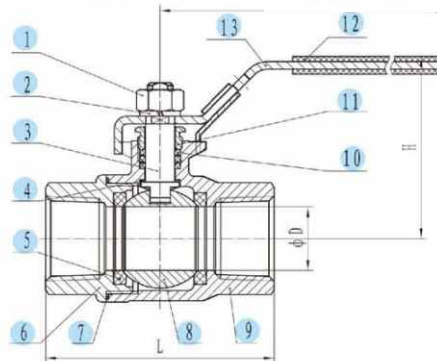
Material:

1. Stainless steel by investment casting
2. Brass by forging



MATERIAL LIST

ITEM	DESIGNATION	MATERIAL
1	STEM NUT	SUS304
2	THRUST WASHER	SUS304
3	STEM	SUS304
4	STEM SEAL	PTFE
5	SEAT	RPTFE
6	CAP	CF8/CF8M
7	BODY SEAT	PTFE
8	BALL	CF8/CF8M
9	BODY	CF8/CF8M
10	STEM PACKING	PTFE
11	GLAND NUT	SUS304
12	PLASTIC COVER	PLASTIC
13	HANDLE	SUS304



Add: G320 New Century Industrial Park, Gao' an, City, Jiangxi, 330800 China  
<http://www.Luxe-group.cn> [Luxe@Luxe-group.cn](mailto:Luxe@Luxe-group.cn) Tel:0086-795-7066681 Fax:0086-795-7066682



Ball valve

Female-Male

Standard  
Materials

Brass CW617N Stainless steel AISI 316 / 1.4408



Name	Size	Code	Weight	Price	Material
DN10	3/8"	L2301035			SS
DN15	1/2"	L2301023			SS
DN20	3/4"	L2301024			SS
DN25	1"	L2301025			SS
DN32	1 1/4"	L2301026			SS
DN40	1 1/2"	L2301027			SS
DN50	2"	L2301028			SS
DN65	2 1/2"	L2301037			SS
DN80	3"	L2301039			SS
DN100	4"	L2301041			SS
DN10	3/8"	L2301036			BR
DN15	1/2"	L2301029			BR
DN20	3/4"	L2301030			BR
DN25	1"	L2301031			BR
DN32	1 1/4"	L2301032			BR
DN40	1 1/2"	L2301033			BR
DN50	2"	L2301034			BR
DN65	2 1/2"	L2301038			BR
DN80	3"	L2301040			BR
DN100	4"	L2301042			BR



我们正在为做流体技术行业典范而努力。  
We are becoming the modle of Fluid Technclogy.



**Ball valve**

**2-PC**

Standard  
Materials

Brass CW617N Stainless steel AISI 316 / 1.4408



Name	Size	Code	Weight	Price	Material
DN10	3/8"	L2301077			SS
DN15	1/2"	L2301078			SS
DN20	3/4"	L2301079			SS
DN25	1"	L2301080			SS
DN32	1 1/4"	L2301081			SS
DN40	1 1/2"	L2301082			SS
DN50	2"	L2301083			SS
DN65	2 1/2"	L2301084			SS
DN80	3"	L2301085			SS
DN100	4"	L2301086			SS
DN10	3/8"	L2301057			BR
DN15	1/2"	L2301058			BR
DN20	3/4"	L2301059			BR
DN25	1"	L2301060			BR
DN32	1 1/4"	L2301061			BR
DN40	1 1/2"	L2301062			BR
DN50	2"	L2301063			BR
DN65	2 1/2"	L2301064			BR
DN80	3"	L2301065			BR
DN100	4"	L2301066			BR

**Ball valve**



Add: G320 New Century Industrial Park, Gao' an, City, Jiangxi, 330800 China  
<http://www.Luxe-group.cn> [Luxe@Luxe-group.cn](mailto:Luxe@Luxe-group.cn) Tel:0086-795-7066681 Fax:0086-795-7066682



Ball valve Mini

Standard Materials Brass CW617N

Name	Size	Code	Weight	Price	Material
DN10	3/8"	L2301043			SS
DN15	1/2"	L2301044			SS
DN20	3/4"	L2301045			SS
DN25	1"	L2301046			SS
DN32	1 1/4"	L2301047			SS
DN40	1 1/2"	L2301048			SS
DN50	2"	L2301049			SS
DN65	2 1/2"	L2301050			SS
DN80	3"	L2301051			SS
DN100	4"	L2301052			SS



Ball valve Mini

Standard Materials Brass CW617N

Name	Size	Code	Weight	Price	Material
DN10	3/8"	L2301053			BR
DN15	1/2"	L2301054			BR
DN20	3/4"	L2301055			BR
DN25	1"	L2301056			BR



Ball valve Mini

Standard Materials Brass CW617N

Name	Size	Code	Weight	Price	Material
DN06	1/4"	L2301067			BR
DN10	3/8"	L2301068			BR
DN15	1/2"	L2301069			BR
DN20	3/4"	L2301070			BR
DN25	1"	L2301071			BR
DN06	1/4"	L2301072			BR
DN10	3/8"	L2301073			BR
DN15	1/2"	L2301074			BR
DN20	3/4"	L2301075			BR
DN25	1"	L2301076			BR



我们正在为做流体技术行业典范而努力。  
We are becoming the modle of Fluid Technclogy.



**Ball valve**

**Ball valve**

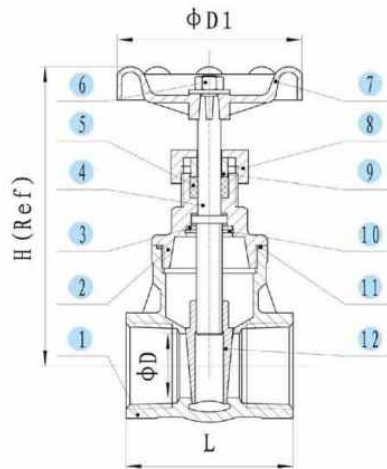
Standard  
Materials

Brass CW617N Stainless steel AISI 316 / 1.4408



Name	Size	Code	Weight	Price	Material
GV13	1/2"	L2302001			SS
GV19	3/4"	L2302002			SS
GV25	1"	L2302003			SS
GV32	1 1/4"	L2302004			SS
GV38	1 1/2"	L2302005			SS
GV50	2"	L2302006			SS
GV65	2 1/2"	L2302007			SS
GV75	3"	L2302008			SS
GV100	4"	L2302009			SS
GV1500	6"	L2302010			SS
GV13	1/2"	L2302011			BR
GV19	3/4"	L2302012			BR
GV25	1"	L2302013			BR
GV32	1 1/4"	L2302014			BR
GV38	1 1/2"	L2302015			BR
GV50	2"	L2302016			BR
GV65	2 1/2"	L2302017			BR
GV75	3"	L2302018			BR
GV100	4"	L2302019			BR
GV1500	6"	L2302020			BR

**Ball valve**





Gate Valve

Gate Valve

Standard  
Materials

F4  
Carbon steel

Name	Size	Code	Weight	Price	Material
DN50	2"	L2302021	10.6		GGG50
DN65	2 1/2"	L2302022	11.0		GGG50
DN80	3"	L2302023	12.6		GGG50
DN100	4"	L2302024	18.0		GGG50
DN125	5"	L2302025	26.9		GGG50
DN150	6"	L2302026	30.2		GGG50
DN200	8"	L2302027	53.0		GGG50
DN250	10"	L2302028	73.5		GGG50
DN300	12"	L2302029	107.4		GGG50
DN350	14"	L2302030	158.4		GGG50
DN400	16"	L2302031	200.8		GGG50
DN500	20"	L2302032	344.0		GGG50
DN600	24"	L2302033	543.0		GGG50

