



Composite Hose Couplings

Industrial Couplings



Luxe-group
Manufacture



我们正在为做流体技术行业典范而努力。
We are becoming the modle of Fluid Technology.



Luxe-group
璐克斯集团

Composite hose couplings 复合管接头

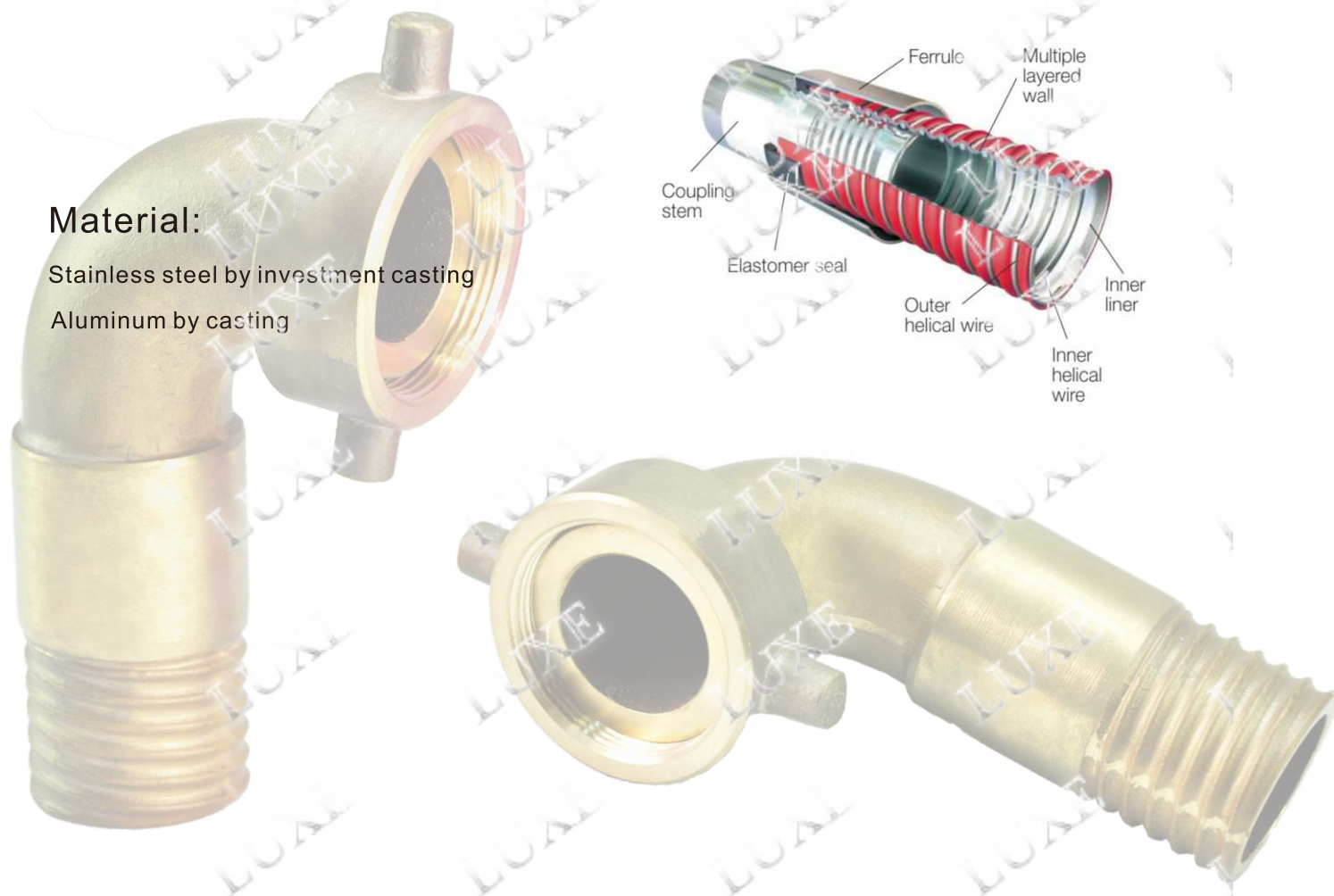
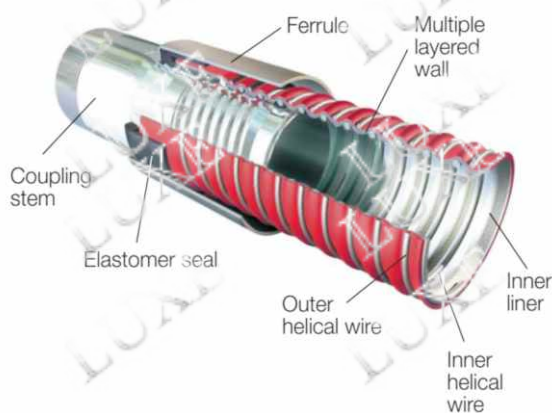
Composite hose couplings



Material:

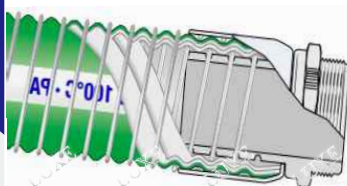
Stainless steel by investment casting

Aluminum by casting



Add: G320 New Century Industrial Park, Gao' an, City, Jiangxi, 330800 China
<http://www.Luxe-group.cn> Luxe@Luxe-group.cn Tel:0086-795-7066681 Fax:0086-795-7066682

76



Composite hose couplings

Male

Standard
Materials

Composite Hose Couplings
Stainless steel AISI 316 / 1.4408 Aluminium

Name	Size	Code	Weight	Price	D	H	Material
DN25	1"	L4001001					SS
DN32	1 1/4"	L4001009					SS
DN40	1 1/2"	L4001010					SS
DN50	2"	L4001002					SS
DN65	2 1/2"	L4001011					SS
DN80	3"	L4001003					SS
DN100	4"	L4001004					SS
DN25	1"	L4001005					AL
DN32	1 1/4"	L4001012					AL
DN40	1 1/2"	L4001013					AL
DN50	2"	L4001006					AL
DN65	2 1/2"	L4001014					AL
DN80	3"	L4001007					AL
DN100	4"	L4001008					AL

Composite hose couplings

Female

Standard
Materials

Composite Hose Couplings
Stainless steel AISI 316 / 1.4408

Name	Size	Code	Weight	Price	D	H	Material
DN25	1"	L4013001					SS
DN40	1 1/2"	L4013002					SS
DN50	2"	L4013003					SS



Composite hose couplings

Guill hose

Standard
Materials

Composite Hose Couplings
Aluminium

Name	Size	Code	Weight	Price	D	H	Material
DN65	2 1/2"	10210032					AL
DN80	3"	L0210035					AL
DN100	4"	L0210036					AL



NEW



我们正在为做流体技术行业典范而努力。
We are becoming the modle of Fluid Technology.



Composite hose couplings

Swivel flange

Standard Materials

Composite Hose Couplings
Stainless steel AISI 316 / 1.4408 Aluminium



Name	Size	Code	Weight	Price	D	H	Material
DN25	1"	L4003001					SS
DN32	1 1/4"	L4003009					SS
DN40	1 1/2"	L4003010					SS
DN50	2"	L4003002					SS
DN65	2 1/2"	L4003011					SS
DN80	3"	L4003003					SS
DN100	4"	L4003004					SS
DN25	1"	L4003005					AL
DN32	1 1/4"	L4003012					AL
DN40	1 1/2"	L4003013					AL
DN50	2"	L4003006					AL
DN65	2 1/2"	L4003014					AL
DN80	3"	L4003007					AL
DN100	4"	L4003008					AL

Composite hose couplings

Composite hose couplings

Fixed flange

Standard Materials

Composite Hose Couplings
Stainless steel AISI 316 / 1.4408 Aluminium



Name	Size	Code	Weight	Price	D	H	Material
DN25	1"	L4004001					SS
DN32	1 1/4"	L4004009					SS
DN40	1 1/2"	L4004010					SS
DN50	2"	L4004002					SS
DN65	2 1/2"	L4004011					SS
DN80	3"	L4004003					SS
DN100	4"	L4004004					SS
DN25	1"	L4004005					AL
DN32	1 1/4"	L4004012					AL
DN40	1 1/2"	L4004013					AL
DN50	2"	L4004006					AL
DN65	2 1/2"	L4004014					AL
DN80	3"	L4004007					AL
Dn100	4"	L4004008					AL

Flange

EN1092-1 ANSI (ASA)B16.5 DIN28459 T.T.M.A



Add: G320 New Century Industrial Park, Gao' an, City, Jiangxi, 330800 China
http://www.Luxe-group.cn Luxe@Luxe-group.cn Tel:0086-795-7066681 Fax:0086-795-7066682

78



Composite hose couplings

C

Standard
Materials

Composite Hose Couplings
Stainless steel AISI 316 / 1.4408 Aluminium

Name	Size	Code	Weight	Price	D	H	Material
DN25	1"	L1035001					SS
DN32	1 1/4"	L1035017					SS
DN40	1 1/2"	L1035018					SS
DN50	2"	L1035002					SS
DN65	2 1/2"	L1035019					SS
DN80	3"	L1035003					SS
DN100	4"	L1035004					SS
DN25	1"	L1035005					AL
DN32	1 1/4"	L1035020					AL
DN40	1 1/2"	L1035021					AL
DN50	2"	L1035006					AL
DN65	2 1/2"	L1035022					AL
DN80	3"	L1035007					AL
DN100	4"	L1035008					AL

Composite hose couplings

E

Standard
Materials

Composite Hose Couplings
Stainless steel AISI 316 / 1.4408 Aluminium



Name	Size	Code	Weight	Price	D	H	Material
DN25	1"	L1035009					SS
DN32	1 1/4"	L1035023					SS
DN40	1 1/2"	L1035024					SS
DN50	2"	L1035010					SS
DN65	2 1/2"	L1035025					SS
DN80	3"	L1035011					SS
DN100	4"	L1035012					SS
DN25	1"	L1035013					AL
DN32	1 1/4"	L1035026					AL
DN40	1 1/2"	L1035027					AL
DN50	2"	L1035014					AL
DN65	2 1/2"	L1035028					AL
Dn80	3"	L1035015					AL
DN100	4"	L1035016					AL



我们正在为做流体技术行业典范而努力。
We are becoming the modle of Fluid Technology.



Composite hose couplings

Composite hose couplings

Female

Standard Materials

Composite Hose Couplings
Stainless steel AISI 316 / 1.4408 Aluminium



Name	Size	Code	Weight	Price	D	H	Material
DN25	1"	L4007001					SS
DN32	1 1/4"	L4007002					SS
DN40	1 1/2"	L4007003					SS
DN50	2"	L4007004					SS
DN65	2 1/2"	L4007005					SS
DN80	3"	L4007006					SS
DN100	4"	L4007007					SS
DN25	1"	L4007008					AL
DN32	1 1/4"	L4007009					AL
DN40	1 1/2"	L4007010					AL
DN50	2"	L4007011					AL
DN65	2 1/2"	L4007012					AL
DN80	3"	L4007013					AL
DN100	4"	L4007014					AL

Composite hose couplings

Welding

Standard Materials

Composite Hose Couplings
Stainless steel AISI 316 / 1.4408



Name	Size	Code	Weight	Price	D	H	Material
DN25	1"	L4008001					SS
DN32	1 1/4"	L4008002					SS
DN40	1 1/2"	L4008003					SS
DN50	2"	L4008004					SS
DN65	2 1/2"	L4008005					SS
DN80	3"	L4008006					SS
DN100	4"	L4008007					SS



Add: G320 New Century Industrial Park, Gao' an, City, Jiangxi, 330800 China
http://www.Luxe-group.cn Luxe@Luxe-group.cn Tel:0086-795-7066681 Fax:0086-795-7066682

80



Composite hose couplings

Ferrule

Standard
Materials

Composite Hose Couplings

Stainless steel AISI 316 / 1.4408 Aluminum Carbon steel

Name	Size	Code	Weight	Price	D	H	Material
DN25	1"	L4005001					SS
DN32	1 1/4"	L4005002					SS
DN40	1 1/2"	L4005003					SS
DN50	2"	L4005004	0.15				SS
DN65	2 1/2"	L4005005	0.24				SS
DN80	3"	L4005006	0.24				SS
DN100	4"	L4005007	0.63				SS
DN25	1"	L4005008					AL
DN32	1 1/4"	L4005009					AL
DN40	1 1/2"	L4005010					AL
DN50	2"	L4005011					AL
D65	2 1/2"	L4005012					AL
DN80	3"	L4005013					AL
DN100	4"	L4005014					AL
DN25	1"	L4005015					CS
DN32	1 1/4"	L4005016					CS
DN40	1 1/2"	L4005017					CS
DN50	2"	L4005018					CS
DN65	2 1/2"	L4005019					CS
DN80	3"	L4005020					CS
DN100	4"	L4005021					CS

Composite hose couplings

Expansion gasket

Standard
Materials

Composite Hose Couplings

NBR



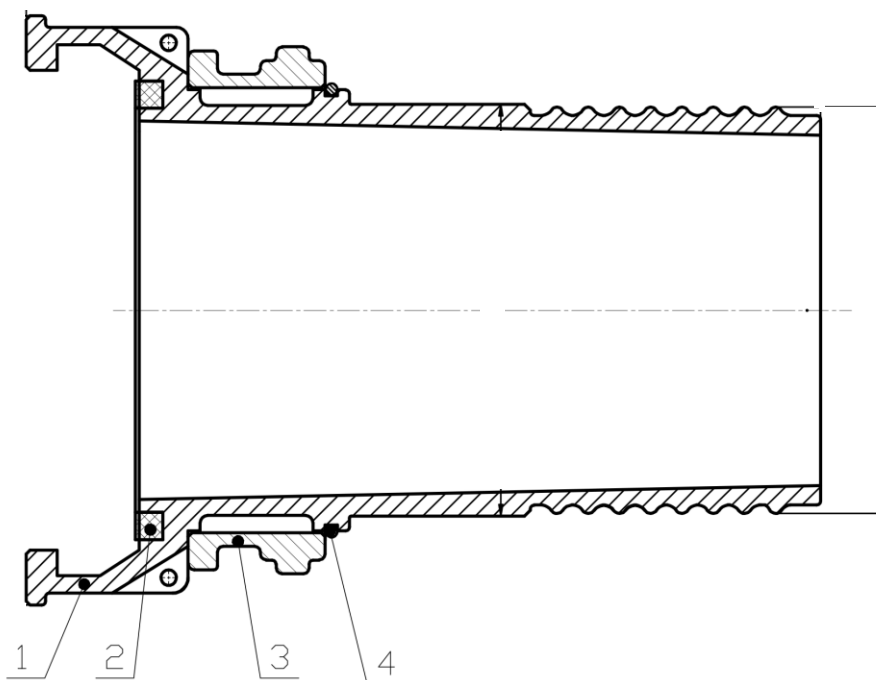
Name	Size	Code	Weight	Price	D	H	Material
DN25	1"	L4006001					NBR
DN32	1 1/4"	L4006002					NBR
DN40	1 1/2"	L4006003					NBR
DN50	2"	L4006004					NBR
DN65	2 1/2"	L4006005					NBR
DN80	3"	L4006006					NBR
DN100	4"	L4006007					NBR



我们正在为做流体技术行业典范而努力。
We are becoming the modle of Fluid Technology.



Composite hose couplings



4	1.4310	018001					
3	ZL101	022					
2	NBR	007					
1	ZL101	006					
NO.编号	Material材料	Part No.零件号	Dim.尺寸	Remark备注			
			23	A/0			
		Part Name 品名	Material 材质	ZL101			
		Client Part No. 顾客零件号	WT重量				
未标注							
Dim.尺寸							
Tol.公差							
		SCALE 比例	1:1	UNIT单位	mm	A4	

LUXE-GROUP



Add: G320 New Century Industrial Park, Gao' an, City, Jiangxi, 330800 China
http://www.Luxe-group.cn Luxe@Luxe-group.cn Tel:0086-795-7066681 Fax:0086-795-7066682