



Grooved Couplings

Industrial Couplings



Luxe-group

Manufacture



我们正在为做流体技术行业典范而努力。
We are becoming the modle of Fluid Technclogy.



Luxe-group
璐克斯集团

快装管夹
Grooved coupling

Grooved coupling

Material

Carbon steel by forging



Add: G320 New Century Industrial Park, Gao' an, City, Jiangxi, 330800 China
<http://www.Luxe-group.cn> Luxe@Luxe-group.cn Tel:0086-795-7066681 Fax:0086-795-7066682

98



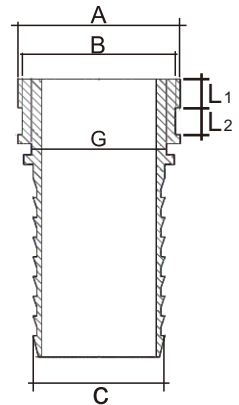
Concrete hose coupling

Concrete hose coupling



Standard
Materials

Carbon steel



Name	Size	A/mm	B/mm	C/mm	G/mm	L1/mm	L2/mm	Code	Weight	Price	Material
VIC60/55	2"-2"	60	57	55	55	16	18	L0901001	1.61		CS
VIC73/55	2 1/2"-2"	73	65	48	55	11	12	L0901002	1.82		CS
VIC60/67	2"-2 1/2"	60	57	52	67	16	18	L0901003	4.09		CS
VIC73/67	2 1/2"-2 1/2"	73	65	48	67	11	12	L0901004	3.03		CS
VIC90/67	3"-2 1/2"	90	82	60	67	16.5	18	L0901007	4.32		CS
VIC90/80	3"-3"	90	83.7	72.5	80	17	18	L0901005	8.57		CS
VIC97/80	3 1/4"-3"	97	89	72.5	80	17	18	L0901008	5.78		CS
VIC114/86	4"-DN80	114.3	108	79	85.5	17	18	L0901006	5.93		CS
VIC114/107	4"-4"	114.3	108	98	106.5	17	18	L0901009	5.00		CS
VIC127/107	4 1/2"-4"	127	114.3	98	107	17	18	L0901011	9.43		CS
VIC148/133	5 1/2"-5"	148	139	123.5	133	17	18	L0901010	0.28		CS



我们正在为做流体技术行业典范而努力。
We are becoming the modle of Fluid Technclogy.



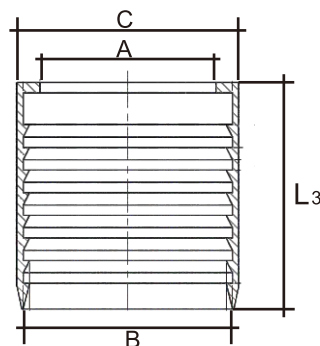
Concrete hose coupling

Ferrule



Standard
Materials

Carbon steel



Name	Size	A/mm	B/mm	C/mm	L3/mm	Code	Weight	Price	Material
VIF60/75	2"	59.8	75	80	80	L0902001	1.67		CS
VIC77/91	2"-21/2"	76.5	91	99	118	L0902002	3.71		CS
VIC81/91	3"-21/2"	82	91	99	118	L0902003	3.23		CS
VIC102/111	4"-DN80	102	111	118	134	L0902004	4.85		CS
VIC87/106	3"	87	106	114	129	L0902005	3.79		CS
VIC113/137	4"	113	137	145	142	L0902006	8.32		CS
VIC121/137	4 1/2"	121	137	145	142	L0902008	6.67		CS
VIC142/160	5"	142	160	167	144	L0902007	8.40		CS

Concrete hose coupling



Add: G320 New Century Industrial Park, Gao' an, City, Jiangxi, 330800 China
http://www.Luxe-group.cn Luxe@Luxe-group.cn Tel:0086-795-7066681 Fax:0086-795-7066682

100

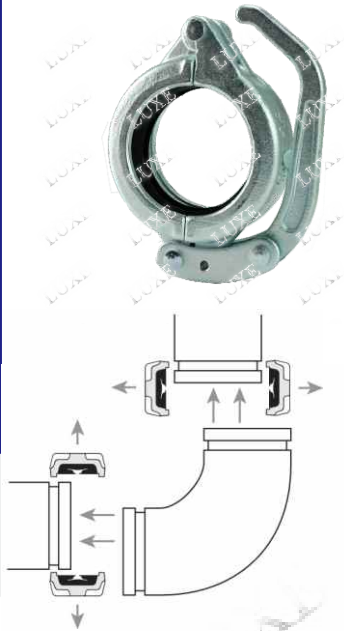


Grooved coupling

Standard
Materials

Snap coupling

Carbon steel



Name	Size	Code	Weight	Price	Material
DN50-60.3MM	2"	L0609001			CS
DN65-73	2 1/2"	L0609002			CS
DN75-89MM	3"	L0609003			CS
DN100-114MM	4"	L0609004			CS
DN100-116MM	4"	L0609005			CS
DN125-142MM	5"	L0609006			CS
DN150-168MM	6"	L0609007			CS
DN180-230MM	7"	L0609008			CS

