



Verteiler



Related products



Inlet	Outlet	Code	Price	Material
52-C	C-C-C			AL
75-B	C-C-C			AL
75-B	C-B-C			AL
75-B	B-B-B			AL
110-A	B-B-B			AL



Verteiler



Verteiler



Related products



Inlet	Outlet	Code	Price	Material
C	C-C			AL
B	C-C			AL
B	B-B			AL
A	B-B			AL



Verteiler





Water collectormanifold



Size	Code	Price	Material
G4" * G3" * G3"	L0807072		AL

Water collectormanifold

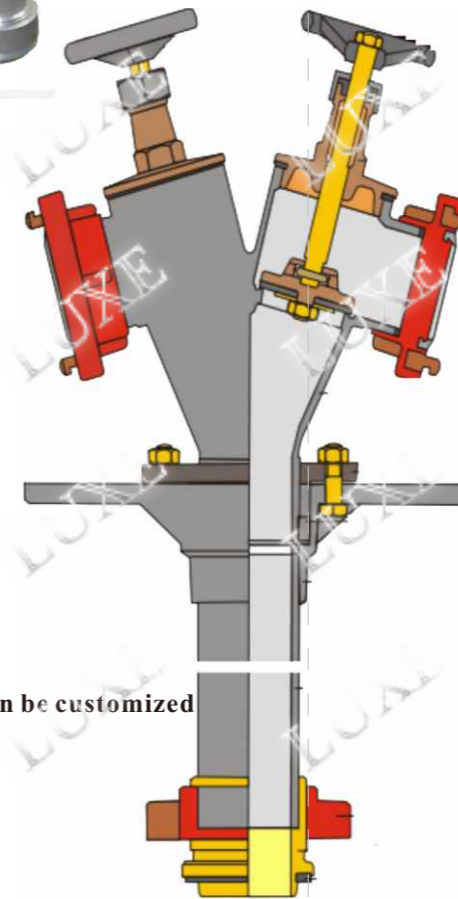


Hydranten standrohr



Inlet	Outlet	Code	Price	Material
DN50	C×C			AL
DN50	B×B			AL
DN80	C×C			AL
DN80	B×B			AL
DN100	B×B			AL

Related products



The tail length can be customized

Related products



Hydrantenstandrohr

