



Luxecasting
International Group

Camlock Couplings



100 % On Site Production

BRASS & ALUMINIUM CAMLOCK FORGING PROCESS

Cutting



Forging



Deburring



Machining



Assembly



100 % On Site Production

STAINLESS STEEL CAMLOCK INVESTMENT CASTING PROCESS

Wax pattern



Ceramic shell



Cut off & Grinding



Shot blasting



Assembly



CAMLOCK COUPLINGS

Normative regulation:

MIL A-A-59326A

EN 14420-7

DIN 2828

Sizes:

DN15 Up To DN300

Materials:

Stainless Steel 316 (Investment Casting)

Brass (Forging)

Aluminium (Casting)

Polypropylen (injection)

Working Pressure:

18 bar / 250 psi (for SS and BR)

18 bar / 250 psi (for AL)

6 bar / 87 psi (for PP)

Thread type:

BSPP : EN ISO228-1 / DIN ISO 228-1

BSPT : EN 10226-1 / DIN 2999-1

NPT : ANSI B 1.20.1

Coupling Gaskets:

NBR (-30°C/+120°C)

EPDM (-45°C/+145°C)

FPM (-30°C/+200°C)

CSM (-30°C/+125°C)

Thread Gaskets:

PU (-50°C/+100°C)

PTFE(-25°C/+250°C)

Applications:

Chemicals

All industry

Tank Fuel Truck Equipement



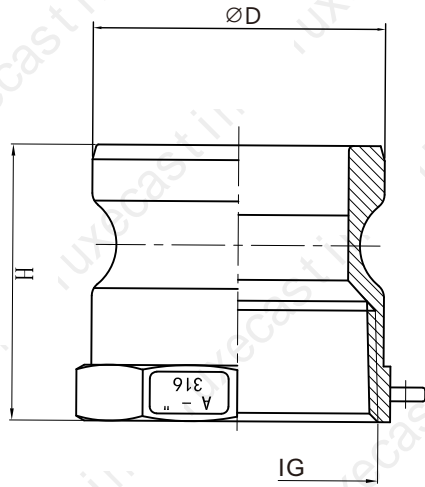
SCOPE

This document details the design, materials and dimensions for cam locking couplings that serve as the link between hoses and connections to transport liquids, solids and gases, except liquid gas and steam. The couplings are capable of operating the pressure range 3 bar to 18 bar working pressure in a working temperature range of - 20 °C up to + 65 °C.

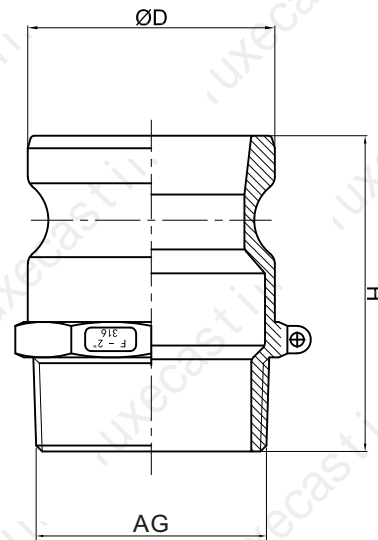
WARNING — Line pressure shall be reduced before disconnection.

| | SS | | BR | | AL | | PP | |
|-------|-----|-----|-----|-----|-----|-----|-----|-----|
| | Bar | Psi | Bar | Psi | Bar | Psi | Bar | Psi |
| DN15 | 16 | 225 | 16 | 225 | 16 | 225 | 6 | 87 |
| DN20 | 18 | 250 | 18 | 250 | 16 | 225 | 6 | 87 |
| DN25 | 18 | 250 | 18 | 250 | 18 | 250 | 6 | 87 |
| DN32 | 18 | 250 | 18 | 250 | 18 | 250 | 6 | 87 |
| DN40 | 18 | 250 | 18 | 250 | 18 | 250 | 6 | 87 |
| DN50 | 18 | 250 | 18 | 250 | 18 | 250 | 6 | 87 |
| DN65 | 16 | 225 | 16 | 225 | 16 | 225 | 6 | 87 |
| DN80 | 14 | 220 | 9 | 150 | 9 | 125 | 6 | 87 |
| DN100 | 7 | 100 | 7 | 100 | 7 | 100 | 6 | 87 |
| DN125 | 7 | 100 | 5 | 75 | 5 | 75 | 3 | 50 |
| DN150 | 7 | 100 | 5 | 75 | 5 | 75 | 3 | 50 |
| DN200 | 5 | 75 | 5 | 75 | 5 | 75 | 3 | 50 |





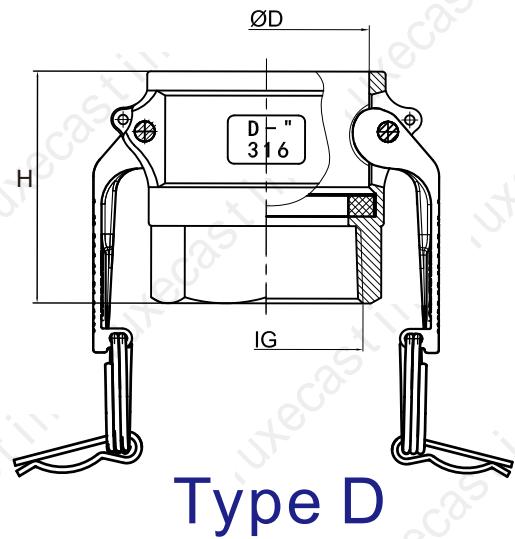
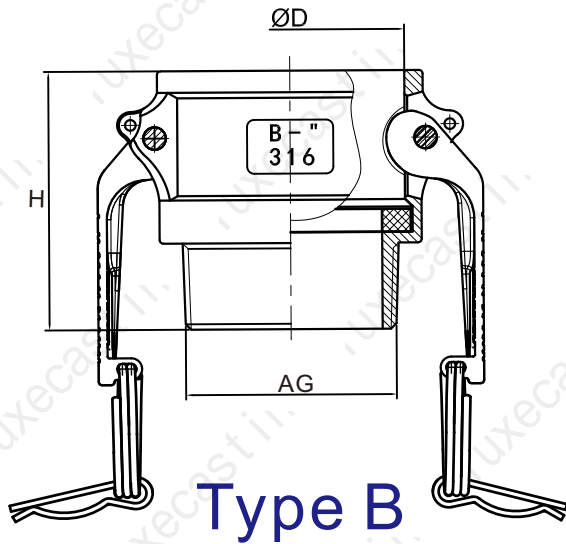
Type A



Type F

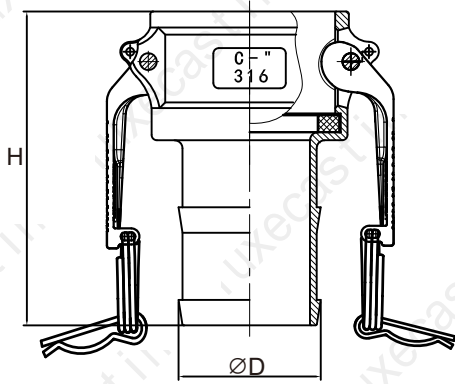
| Name (A) | IG(Female Thread) | D(mm) | H(mm) |
|------------|---------------------|---------|---------|
| 050 | G1/2" | 24.3 | 33.4 |
| 075 | G3/4" | 32.1 | 35.4 |
| 100 | G1" | 36.7 | 43.5 |
| 125 | G1 1/4" | 45.5 | 50.5 |
| 150 | G1 1/2" | 53.4 | 52 |
| 200 | G2" | 63 | 59.5 |
| 250 | G2 1/2" | 75.8 | 75 |
| 300 | G3" | 91.5 | 65 |
| 400 | G4" | 119.5 | 70 |
| 500 | G5" | 145.6 | 80 |
| 600 | G6" | 176 | 83 |

| Name (F) | AG(Male Thread) | D(mm) | H(mm) |
|------------|-------------------|---------|---------|
| 050 | R2999-1/2" | 24.3 | 46.4 |
| 075 | R2999-3/4" | 32.1 | 48.4 |
| 100 | R2999-1" | 36.7 | 57 |
| 125 | R2999-1 1/4" | 45.5 | 67.5 |
| 150 | R2999-1 1/2" | 53.4 | 69 |
| 200 | R2999-2" | 63 | 80.5 |
| 250 | R2999-2 1/2" | 75.8 | 86 |
| 300 | R2999-3" | 91.5 | 94 |
| 400 | R2999-4" | 119.5 | 101 |
| 500 | R2999-5" | 145.6 | 114 |
| 600 | R2999-6" | 176 | 122 |

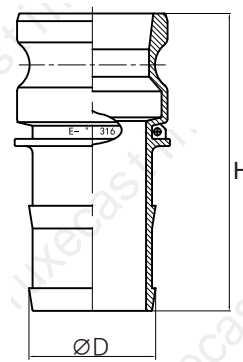


| Name (B) | AG(Male Thread) | D(mm) | H(mm) |
|------------|-------------------|---------|---------|
| 050 | R2999-1/2" | 24.8 | 43.5 |
| 075 | R2999-3/4" | 32.5 | 45 |
| 100 | R2999-1" | 37.3 | 54 |
| 125 | R2999-1 1/4" | 46 | 60.5 |
| 150 | R2999-1 1/2" | 54 | 62.5 |
| 200 | R2999-2" | 63.8 | 72 |
| 250 | R2999-2 1/2" | 76 | 75 |
| 300 | R2999-3" | 92.5 | 82 |
| 400 | R2999-4" | 120.3 | 86.5 |
| 500 | R2999-5" | 146.5 | 95.5 |
| 600 | R2999-6" | 176.5 | 107 |

| Name (D) | IG(Female Thread) | D (mm) | H (mm) |
|------------|---------------------|----------|----------|
| 050 | G1/2" | 24.8 | 43.5 |
| 075 | G3/4" | 32.5 | 45 |
| 100 | G1" | 37.3 | 54 |
| 125 | G1 1/4" | 46 | 60.5 |
| 150 | G1 1/2" | 54 | 62.5 |
| 200 | G2" | 63.8 | 72 |
| 250 | G2 1/2" | 76 | 75 |
| 300 | G3" | 92.5 | 82 |
| 400 | G4" | 120.3 | 86.5 |
| 500 | G5" | 146.5 | 95.5 |
| 600 | G6" | 176.5 | 104 |



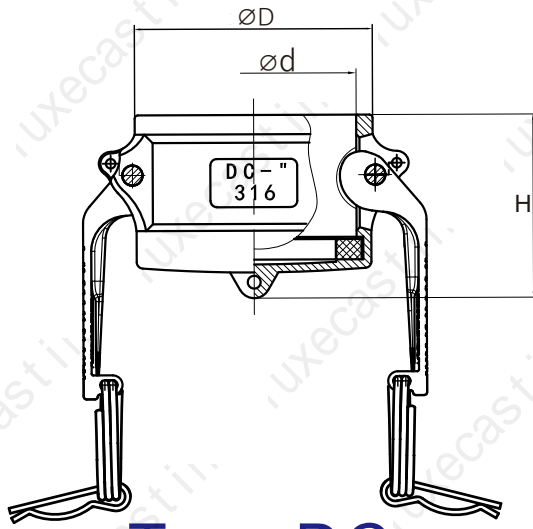
Type C



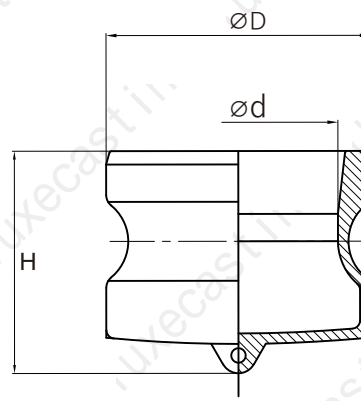
Type E

| Name (C) | Size | D (mm) | H (mm) |
|------------|--------|----------|----------|
| 050 | 1/2" | 15 | 61 |
| 075 | 3/4" | 21 | 78 |
| 100 | 1" | 27.3 | 92.5 |
| 125 | 1 1/4" | 34 | 96.5 |
| 150 | 1 1/2" | 40.6 | 102 |
| 200 | 2" | 53 | 117 |
| 250 | 2 1/2" | 66.7 | 126 |
| 300 | 3" | 78.8 | 146 |
| 400 | 4" | 104.5 | 150.5 |
| 500 | 5" | 130 | 172.5 |
| 600 | 6" | 155.5 | 227 |

| Name (E) | Size | D(mm) | H(mm) |
|------------|--------|---------|---------|
| 050 | 1/2" | 15 | 66.5 |
| 075 | 3/4" | 21 | 80 |
| 100 | 1" | 27.3 | 97.5 |
| 125 | 1 1/4" | 34 | 102.5 |
| 150 | 1 1/2" | 40.6 | 109 |
| 200 | 2" | 53 | 124.5 |
| 250 | 2 1/2" | 66.7 | 136.5 |
| 300 | 3" | 78.8 | 154.5 |
| 400 | 4" | 104.5 | 162 |
| 500 | 5" | 130 | 180 |
| 600 | 6" | 155.5 | 239 |



Type DC



Type DP

| Name (DC) | Size | D (mm) | d (mm) | H (mm) |
|-------------|--------|----------|----------|----------|
| 050 | 1/2" | 33 | 24.8 | 35 |
| 075 | 3/4" | 40 | 32.5 | 38.5 |
| 100 | 1" | 46 | 37.3 | 44.5 |
| 125 | 1 1/4" | 56 | 46 | 49.5 |
| 150 | 1 1/2" | 64 | 54 | 52 |
| 200 | 2" | 74 | 63.8 | 57 |
| 250 | 2 1/2" | 87 | 76.5 | 59.5 |
| 300 | 3" | 105 | 92.5 | 65 |
| 400 | 4" | 134 | 120.3 | 66 |
| 500 | 5" | 161 | 146.5 | 74 |
| 600 | 6" | 194 | 176.5 | 80 |

| Name (DP) | Size | D (mm) | d (mm) | H (mm) |
|-------------|--------|----------|----------|----------|
| 050 | 1/2" | 24.3 | 14 | 30.9 |
| 075 | 3/4" | 32.1 | 19 | 32 |
| 100 | 1" | 36.7 | 24 | 40.5 |
| 125 | 1 1/4" | 45.5 | 30.3 | 46 |
| 150 | 1 1/2" | 53.4 | 38.5 | 48 |
| 200 | 2" | 63 | 48 | 44.5 |
| 250 | 2 1/2" | 75.8 | 59.6 | 58.5 |
| 300 | 3" | 91.5 | 76 | 62 |
| 400 | 4" | 119.5 | 100 | 65.5 |
| 500 | 5" | 145.6 | 126 | 67.5 |
| 600 | 6" | 176 | 152 | 80.5 |

Camlock A (Female NPT Thread)

| Name | Thread | Code | Weight(kg) | Gasket | Material |
|------|--------|----------|------------|--------|----------|
| 050 | 1/2" | L1021001 | 0.07 | - | SS |
| 075 | 3/4" | L1021004 | 0.11 | - | SS |
| 100 | 1" | L1021007 | 0.15 | - | SS |
| 125 | 1 1/4" | L1021010 | 0.24 | - | SS |
| 150 | 1 1/2" | L1021013 | 0.32 | - | SS |
| 200 | 2" | L1021016 | 0.42 | - | SS |
| 250 | 2 1/2" | L1021019 | 0.71 | - | SS |
| 300 | 3" | L1021022 | 0.73 | - | SS |
| 400 | 4" | L1021025 | 1.42 | - | SS |
| 500 | 5" | L1021028 | 1.92 | - | SS |
| 600 | 6" | L1021031 | 3.17 | - | SS |
| 800 | 8" | L1021045 | 2.31 | - | SS |
| 1000 | 10" | - | - | - | SS |
| 1200 | 12" | - | - | - | SS |
| | | | | | |
| 050 | 1/2" | L1041001 | 0.02 | - | AL |
| 075 | 3/4" | L1041004 | 0.04 | - | AL |
| 100 | 1" | L1041007 | 0.05 | - | AL |
| 125 | 1 1/4" | L1041010 | 0.09 | - | AL |
| 150 | 1 1/2" | L1041013 | 0.11 | - | AL |
| 200 | 2" | L1041016 | 0.15 | - | AL |
| 250 | 2 1/2" | L1041019 | 0.24 | - | AL |
| 300 | 3" | L1041022 | 0.27 | - | AL |
| 400 | 4" | L1041025 | 0.58 | - | AL |
| 500 | 5" | L1041028 | 0.90 | - | AL |
| 600 | 6" | L1041031 | 0.84 | - | AL |
| 800 | 8" | L1041045 | 2.31 | - | AL |
| 1000 | 10" | - | - | - | AL |
| 1200 | 12" | - | - | - | AL |
| | | | | | |
| 050 | 1/2" | L1061001 | 0.07 | - | BR |
| 075 | 3/4" | L1061004 | 0.10 | - | BR |
| 100 | 1" | L1061007 | 0.15 | - | BR |
| 125 | 1 1/4" | L1061010 | 0.20 | - | BR |
| 150 | 1 1/2" | L1061013 | 0.29 | - | BR |
| 200 | 2" | L1061016 | 0.35 | - | BR |
| 250 | 2 1/2" | L1061019 | 0.72 | - | BR |
| 300 | 3" | L1061022 | 0.73 | - | BR |
| 400 | 4" | L1061025 | 1.48 | - | BR |
| 500 | 5" | L1061028 | 1.79 | - | BR |
| 600 | 6" | L1061031 | 3.38 | - | BR |
| 800 | 8" | L1061045 | 7.36 | - | BR |
| 1000 | 10" | - | - | - | BR |
| 1200 | 12" | - | - | - | BR |
| | | | | | |
| 050 | 1/2" | L1071001 | 0.02 | - | PP |
| 075 | 3/4" | L1071004 | 0.02 | - | PP |
| 100 | 1" | L1071007 | 0.03 | - | PP |
| 125 | 1 1/4" | L1071010 | 0.05 | - | PP |
| 150 | 1 1/2" | L1071013 | 0.07 | - | PP |
| 200 | 2" | L1071016 | 0.09 | - | PP |
| 250 | 2 1/2" | L1071019 | 0.11 | - | PP |
| 300 | 3" | L1071022 | 0.21 | - | PP |
| 400 | 4" | L1071025 | 0.36 | - | PP |



Camlock A (Female BSP Thread)

| Name | Thread | Code | Weight(kg) | Gasket | Material |
|------|-----------|----------|------------|--------|----------|
| 050 | R2999-½" | L1021002 | 0.07 | - | SS |
| 075 | R2999-¾" | L1021005 | 0.11 | - | SS |
| 100 | R2999-1" | L1021008 | 0.15 | - | SS |
| 125 | R2999-1¼" | L1021011 | 0.24 | - | SS |
| 150 | R2999-1½" | L1021014 | 0.32 | - | SS |
| 200 | R2999-2" | L1021017 | 0.42 | - | SS |
| 250 | R2999-2½" | L1021020 | 0.71 | - | SS |
| 300 | R2999-3" | L1021023 | 0.73 | - | SS |
| 400 | R2999-4" | L1021026 | 1.42 | - | SS |
| 500 | R2999-5" | L1021029 | 1.92 | - | SS |
| 600 | R2999-6" | L1021032 | 3.17 | - | SS |
| 800 | R2999-8" | L1021046 | 2.31 | - | SS |
| 1000 | R2999-10" | - | - | - | SS |
| 1200 | R2999-12" | - | - | - | SS |
| | | | | | |
| 050 | R2999-½" | L1041002 | 0.02 | - | AL |
| 075 | R2999-¾" | L1041005 | 0.04 | - | AL |
| 100 | R2999-1" | L1041008 | 0.05 | - | AL |
| 125 | R2999-1¼" | L1041011 | 0.09 | - | AL |
| 150 | R2999-1½" | L1041014 | 0.11 | - | AL |
| 200 | R2999-2" | L1041017 | 0.15 | - | AL |
| 250 | R2999-2½" | L1041020 | 0.24 | - | AL |
| 300 | R2999-3" | L1041023 | 0.27 | - | AL |
| 400 | R2999-4" | L1041026 | 0.58 | - | AL |
| 500 | R2999-5" | L1041029 | 0.90 | - | AL |
| 600 | R2999-6" | L1041032 | 0.84 | - | AL |
| 800 | R2999-8" | - | 2.31 | - | AL |
| 1000 | R2999-10" | - | - | - | AL |
| 1200 | R2999-12" | - | - | - | AL |
| | | | | | |
| 050 | R2999-½" | L1061002 | 0.07 | - | BR |
| 075 | R2999-¾" | L1061005 | 0.10 | - | BR |
| 100 | R2999-1" | L1061008 | 0.15 | - | BR |
| 125 | R2999-1¼" | L1061011 | 0.20 | - | BR |
| 150 | R2999-1½" | L1061014 | 0.29 | - | BR |
| 200 | R2999-2" | L1061017 | 0.35 | - | BR |
| 250 | R2999-2½" | L1061020 | 0.72 | - | BR |
| 300 | R2999-3" | L1061023 | 0.73 | - | BR |
| 400 | R2999-4" | L1061026 | 1.48 | - | BR |
| 500 | R2999-5" | L1061029 | 1.79 | - | BR |
| 600 | R2999-6" | L1061032 | 3.38 | - | BR |
| 800 | R2999-8" | - | 7.36 | - | BR |
| 1000 | R2999-10" | - | - | - | BR |
| 1200 | R2999-12" | - | - | - | BR |
| | | | | | |
| 050 | R2999-½" | L1071002 | 0.01 | - | PP |
| 075 | R2999-¾" | L1071005 | 0.02 | - | PP |
| 100 | R2999-1" | L1071008 | 0.03 | - | PP |
| 125 | R2999-1¼" | L1071011 | 0.05 | - | PP |
| 150 | R2999-1½" | L1071014 | 0.06 | - | PP |
| 200 | R2999-2" | L1071017 | 0.09 | - | PP |
| 250 | R2999-2½" | L1071020 | 0.14 | - | PP |
| 300 | R2999-3" | L1071023 | 0.18 | - | PP |
| 400 | R2999-4" | L1071026 | 0.36 | - | PP |



Camlock A(Female BSPP Thread/Gasket)

| Name | Thread | Code | Weight(kg) | Gasket | Material |
|------|------------|----------|------------|--------|----------|
| 050 | ISO228-½" | L1021003 | 0.07 | PTFE | SS |
| 075 | ISO228-¾" | L1021006 | 0.11 | PTFE | SS |
| 100 | ISO228-1" | L1021009 | 0.15 | PTFE | SS |
| 125 | ISO228-1¼" | L1021012 | 0.24 | PTFE | SS |
| 150 | ISO228-1½" | L1021015 | 0.32 | PTFE | SS |
| 200 | ISO228-2" | L1021018 | 0.42 | PTFE | SS |
| 250 | ISO228-2½" | L1021021 | 0.71 | PTFE | SS |
| 300 | ISO228-3" | L1021024 | 0.73 | PTFE | SS |
| 400 | ISO228-4" | L1021027 | 1.42 | PTFE | SS |
| 500 | ISO228-5" | L1021029 | 1.92 | PTFE | SS |
| 600 | ISO228-6" | L1021032 | 3.17 | PTFE | SS |
| 800 | ISO228-8" | L1021046 | 2.31 | PTFE | SS |
| 1000 | ISO228-10" | - | - | PTFE | SS |
| 1200 | ISO228-12" | - | - | PTFE | SS |
| | | | | | |
| 050 | ISO228-½" | L1041003 | 0.02 | NBR | AL |
| 075 | ISO228-¾" | L1041006 | 0.04 | NBR | AL |
| 100 | ISO228-1" | L1041009 | 0.05 | NBR | AL |
| 125 | ISO228-1¼" | L1041012 | 0.09 | NBR | AL |
| 150 | ISO228-1½" | L1041015 | 0.11 | NBR | AL |
| 200 | ISO228-2" | L1041018 | 0.15 | NBR | AL |
| 250 | ISO228-2½" | L1041021 | 0.24 | NBR | AL |
| 300 | ISO228-3" | L1041046 | 0.27 | NBR | AL |
| 400 | ISO228-4" | L1041027 | 0.58 | NBR | AL |
| 500 | ISO228-5" | L1041030 | 0.90 | NBR | AL |
| 600 | ISO228-6" | L1041032 | 0.84 | NBR | AL |
| 800 | ISO228-8" | - | 2.31 | NBR | AL |
| 1000 | ISO228-10" | - | - | NBR | AL |
| 1200 | ISO228-12" | - | - | NBR | AL |
| | | | | | |
| 050 | ISO228-½" | L1061003 | 0.07 | NBR | BR |
| 075 | ISO228-¾" | L1061006 | 0.10 | NBR | BR |
| 100 | ISO228-1" | L1061009 | 0.15 | NBR | BR |
| 125 | ISO228-1¼" | L1061012 | 0.20 | NBR | BR |
| 150 | ISO228-1½" | L1061015 | 0.29 | NBR | BR |
| 200 | ISO228-2" | L1061018 | 0.35 | NBR | BR |
| 250 | ISO228-2½" | L1061021 | 0.72 | NBR | BR |
| 300 | ISO228-3" | L1061024 | 0.73 | NBR | BR |
| 400 | ISO228-4" | L1061027 | 1.48 | NBR | BR |
| 500 | ISO228-5" | L1061029 | 1.79 | NBR | BR |
| 600 | ISO228-6" | L1061032 | 3.38 | NBR | BR |
| 800 | ISO228-8" | - | 7.36 | NBR | BR |
| 1000 | ISO228-10" | - | - | NBR | BR |
| 1200 | ISO228-12" | - | - | NBR | BR |



Camlock B(Male NPT Thread/Gasket)

| Name | Thread | Code | Weight(kg) | Gasket | Material |
|------|--------|----------|------------|--------|----------|
| 050 | 1/2" | L1022001 | 0.12 | NBR | SS |
| 075 | 3/4" | L1022004 | 0.20 | NBR | SS |
| 100 | 1" | L1022007 | 0.29 | NBR | SS |
| 125 | 1 1/4" | L1022010 | 0.47 | NBR | SS |
| 150 | 1 1/2" | L1022013 | 0.54 | NBR | SS |
| 200 | 2" | L1022016 | 0.67 | NBR | SS |
| 250 | 2 1/2" | L1022019 | 1.14 | NBR | SS |
| 300 | 3" | L1022022 | 1.36 | NBR | SS |
| 400 | 4" | L1022025 | 1.97 | NBR | SS |
| 500 | 5" | L1022028 | 2.98 | NBR | SS |
| 600 | 6" | L1022031 | 4.11 | NBR | SS |
| 800 | 8" | L1022034 | 2.60 | NBR | SS |
| 1000 | 10" | - | - | NBR | SS |
| 1200 | 12" | - | - | NBR | SS |
| | | | | | |
| 050 | 1/2" | L1042001 | 0.07 | NBR | AL |
| 075 | 3/4" | L1042004 | 0.10 | NBR | AL |
| 100 | 1" | L1042007 | 0.16 | NBR | AL |
| 125 | 1 1/4" | L1042010 | 0.27 | NBR | AL |
| 150 | 1 1/2" | L1042013 | 0.30 | NBR | AL |
| 200 | 2" | L1042016 | 0.35 | NBR | AL |
| 250 | 2 1/2" | L1042019 | 0.43 | NBR | AL |
| 300 | 3" | L1042022 | 0.68 | NBR | AL |
| 400 | 4" | L1042025 | 0.92 | NBR | AL |
| 500 | 5" | L1042028 | 1.81 | NBR | AL |
| 600 | 6" | L1042031 | 1.78 | NBR | AL |
| 800 | 8" | L1042034 | 2.31 | NBR | AL |
| 1000 | 10" | - | - | NBR | AL |
| 1200 | 12" | - | - | NBR | AL |
| | | | | | |
| 050 | 1/2" | L1062001 | 0.17 | NBR | BR |
| 075 | 3/4" | L1062004 | 0.21 | NBR | BR |
| 100 | 1" | L1062007 | 0.32 | NBR | BR |
| 125 | 1 1/4" | L1062010 | 0.45 | NBR | BR |
| 150 | 1 1/2" | L1062013 | 0.52 | NBR | BR |
| 200 | 2" | L1062016 | 0.64 | NBR | BR |
| 250 | 2 1/2" | L1062019 | 0.94 | NBR | BR |
| 300 | 3" | L1062022 | 1.38 | NBR | BR |
| 400 | 4" | L1062025 | 1.94 | NBR | BR |
| 500 | 5" | L1062028 | 3.98 | NBR | BR |
| 600 | 6" | L1062031 | 3.65 | NBR | BR |
| 800 | 8" | - | - | NBR | BR |
| 1000 | 10" | - | - | NBR | BR |
| 1200 | 12" | - | - | NBR | BR |
| | | | | | |
| 050 | 1/2" | L1072001 | 0.07 | NBR | PP |
| 075 | 3/4" | L1072004 | 0.08 | NBR | PP |
| 100 | 1" | L1072007 | 0.11 | NBR | PP |
| 125 | 1 1/4" | L1072010 | 0.21 | NBR | PP |
| 150 | 1 1/2" | L1072013 | 0.21 | NBR | PP |
| 200 | 2" | L1072016 | 0.25 | NBR | PP |
| 250 | 2 1/2" | L1072019 | 0.30 | NBR | PP |
| 300 | 3" | L1072022 | 0.50 | NBR | PP |
| 400 | 4" | L1072025 | 0.76 | NBR | PP |



Camlock B(Male BSPT Thread/Gasket)

| Name | Thread | Code | Weight(kg) | Gasket | Material |
|------|--------------|----------|------------|--------|----------|
| 050 | R2999-1/2" | L1022002 | 0.12 | NBR | SS |
| 075 | R2999-3/4" | L1022005 | 0.20 | NBR | SS |
| 100 | R2999-1" | L1022008 | 0.29 | NBR | SS |
| 125 | R2999-1 1/4" | L1022011 | 0.47 | NBR | SS |
| 150 | R2999-1 1/2" | L1022014 | 0.54 | NBR | SS |
| 200 | R2999-2" | L1022017 | 0.67 | NBR | SS |
| 250 | R2999-2 1/2" | L1022020 | 1.14 | NBR | SS |
| 300 | R2999-3" | L1022023 | 1.36 | NBR | SS |
| 400 | R2999-4" | L1022026 | 1.97 | NBR | SS |
| 500 | R2999-5" | L1022029 | 2.98 | NBR | SS |
| 600 | R2999-6" | L1022032 | 4.11 | NBR | SS |
| 800 | R2999-8" | L1022035 | 2.60 | NBR | SS |
| 1000 | R2999-10" | - | - | NBR | SS |
| 1200 | R2999-12" | - | - | NBR | SS |
| | | | | | |
| 050 | R2999-1/2" | L1042002 | 0.07 | NBR | AL |
| 075 | R2999-3/4" | L1042005 | 0.10 | NBR | AL |
| 100 | R2999-1" | L1042008 | 0.16 | NBR | AL |
| 125 | R2999-1 1/4" | L1042011 | 0.27 | NBR | AL |
| 150 | R2999-1 1/2" | L1042014 | 0.30 | NBR | AL |
| 200 | R2999-2" | L1042017 | 0.35 | NBR | AL |
| 250 | R2999-2 1/2" | L1042020 | 0.43 | NBR | AL |
| 300 | R2999-3" | L1042023 | 0.68 | NBR | AL |
| 400 | R2999-4" | L1042026 | 0.92 | NBR | AL |
| 500 | R2999-5" | L1042029 | 1.81 | NBR | AL |
| 600 | R2999-6" | L1042032 | 1.78 | NBR | AL |
| 800 | R2999-8" | - | 2.31 | NBR | AL |
| 1000 | R2999-10" | - | - | NBR | AL |
| 1200 | R2999-12" | - | - | NBR | AL |
| | | | | | |
| 050 | R2999-1/2" | L1062002 | 0.17 | NBR | BR |
| 075 | R2999-3/4" | L1062005 | 0.21 | NBR | BR |
| 100 | R2999-1" | L1062008 | 0.32 | NBR | BR |
| 125 | R2999-1 1/4" | L1062011 | 0.45 | NBR | BR |
| 150 | R2999-1 1/2" | L1062014 | 0.52 | NBR | BR |
| 200 | R2999-2" | L1062017 | 0.64 | NBR | BR |
| 250 | R2999-2 1/2" | L1062020 | 0.94 | NBR | BR |
| 300 | R2999-3" | L1062023 | 1.38 | NBR | BR |
| 400 | R2999-4" | L1062026 | 1.94 | NBR | BR |
| 500 | R2999-5" | L1062029 | 3.98 | NBR | BR |
| 600 | R2999-6" | L1062032 | 3.65 | NBR | BR |
| 800 | R2999-8" | - | - | NBR | BR |
| 1000 | R2999-10" | - | - | NBR | BR |
| 1200 | R2999-12" | - | - | NBR | BR |
| | | | | | |
| 050 | R2999-1/2" | L1072002 | 0.07 | NBR | PP |
| 075 | R2999-3/4" | L1072005 | 0.08 | NBR | PP |
| 100 | R2999-1" | L1072008 | 0.11 | NBR | PP |
| 125 | R2999-1 1/4" | L1072011 | 0.21 | NBR | PP |
| 150 | R2999-1 1/2" | L1072014 | 0.21 | NBR | PP |
| 200 | R2999-2" | L1072017 | 0.25 | NBR | PP |
| 250 | R2999-2 1/2" | L1072020 | 0.30 | NBR | PP |
| 300 | R2999-3" | L1072023 | 0.50 | NBR | PP |
| 400 | R2999-4" | L1072026 | 0.76 | NBR | PP |



Camlock C(Gasket)

| Name | Size | Code | Weight(kg) | Gasket | Material |
|------|--------|----------|------------|--------|----------|
| 050 | 1/2" | L1023001 | 0.12 | NBR | SS |
| 075 | 3/4" | L1023002 | 0.20 | NBR | SS |
| 100 | 1" | L1023003 | 0.29 | NBR | SS |
| 125 | 1 1/4" | L1023004 | 0.47 | NBR | SS |
| 150 | 1 1/2" | L1023005 | 0.54 | NBR | SS |
| 200 | 2" | L1023006 | 0.67 | NBR | SS |
| 250 | 2 1/2" | L1023007 | 1.14 | NBR | SS |
| 300 | 3" | L1023008 | 1.35 | NBR | SS |
| 400 | 4" | L1023009 | 1.97 | NBR | SS |
| 500 | 5" | L1023010 | 2.98 | NBR | SS |
| 600 | 6" | L1023011 | 4.11 | NBR | SS |
| 800 | 8" | L1023023 | 2.60 | NBR | SS |
| 1000 | 10" | - | - | NBR | SS |
| 1200 | 12" | - | - | NBR | SS |



| | | | | | |
|------|--------|----------|------|-----|----|
| 050 | 1/2" | L1043001 | 0.07 | NBR | AL |
| 075 | 3/4" | L1043002 | 0.10 | NBR | AL |
| 100 | 1" | L1043003 | 0.16 | NBR | AL |
| 125 | 1 1/4" | L1043004 | 0.27 | NBR | AL |
| 150 | 1 1/2" | L1043005 | 0.30 | NBR | AL |
| 200 | 2" | L1043006 | 0.35 | NBR | AL |
| 250 | 2 1/2" | L1043007 | 0.43 | NBR | AL |
| 300 | 3" | L1043008 | 0.68 | NBR | AL |
| 400 | 4" | L1043009 | 0.92 | NBR | AL |
| 500 | 5" | L1043010 | 1.81 | NBR | AL |
| 600 | 6" | L1043011 | 1.78 | NBR | AL |
| 800 | 8" | L1043023 | 4.75 | NBR | AL |
| 1000 | 10" | - | - | NBR | AL |
| 1200 | 12" | - | - | NBR | AL |



| | | | | | |
|------|--------|----------|------|-----|----|
| 050 | 1/2" | L1063001 | 0.15 | NBR | BR |
| 075 | 3/4" | L1063002 | 0.23 | NBR | BR |
| 100 | 1" | L1063003 | 0.36 | NBR | BR |
| 125 | 1 1/4" | L1063004 | 0.49 | NBR | BR |
| 150 | 1 1/2" | L1063005 | 0.62 | NBR | BR |
| 200 | 2" | L1063006 | 0.77 | NBR | BR |
| 250 | 2 1/2" | L1063007 | 1.07 | NBR | BR |
| 300 | 3" | L1063008 | 1.58 | NBR | BR |
| 400 | 4" | L1063009 | 4.13 | NBR | BR |
| 500 | 5" | L1063010 | 3.32 | NBR | BR |
| 600 | 6" | L1063011 | 6.05 | NBR | BR |
| 800 | 8" | - | - | NBR | BR |
| 1000 | 10" | - | - | NBR | BR |
| 1200 | 12" | - | - | NBR | BR |



| | | | | | |
|-----|--------|----------|------|-----|----|
| 050 | 1/2" | L1073001 | 0.07 | NBR | PP |
| 075 | 3/4" | L1073002 | 0.08 | NBR | PP |
| 100 | 1" | L1073003 | 0.12 | NBR | PP |
| 125 | 1 1/4" | L1073004 | 0.23 | NBR | PP |
| 150 | 1 1/2" | L1073005 | 0.23 | NBR | PP |
| 200 | 2" | L1073006 | 0.31 | NBR | PP |
| 250 | 2 1/2" | L1073007 | 0.51 | NBR | PP |
| 300 | 3" | L1073008 | 0.64 | NBR | PP |
| 400 | 4" | L1073009 | 0.91 | NBR | PP |



Type C- Serrated hose shank

| Name | Size | Code | Weight(kg) | Gasket | Material |
|------|--------|----------|------------|--------|----------|
| 050 | 1/2" | L1023199 | 0.12 | NBR | SS |
| 075 | 3/4" | L1023202 | 0.20 | NBR | SS |
| 100 | 1" | L1023005 | 0.29 | NBR | SS |
| 125 | 1 1/4" | L1023208 | 0.47 | NBR | SS |
| 150 | 1 1/2" | L1023211 | 0.54 | NBR | SS |
| 200 | 2" | L1023213 | 0.67 | NBR | SS |
| 250 | 2 1/2" | L1023216 | 1.14 | NBR | SS |
| 300 | 3" | L1023219 | 1.35 | NBR | SS |
| 400 | 4" | L1023222 | 1.97 | NBR | SS |
| 500 | 5" | L1023225 | 2.98 | NBR | SS |
| 600 | 6" | L1023228 | 4.11 | NBR | SS |
| 800 | 8" | L1023231 | 2.60 | NBR | SS |
| 1000 | 10" | - | - | NBR | SS |
| 1200 | 12" | - | - | NBR | SS |



| | | | | | |
|------|--------|----------|------|-----|----|
| 050 | 1/2" | L1043128 | 0.07 | NBR | AL |
| 075 | 3/4" | L1043130 | 0.10 | NBR | AL |
| 100 | 1" | L1043132 | 0.16 | NBR | AL |
| 125 | 1 1/4" | L1043134 | 0.27 | NBR | AL |
| 150 | 1 1/2" | L1043136 | 0.30 | NBR | AL |
| 200 | 2" | L1043138 | 0.35 | NBR | AL |
| 250 | 2 1/2" | L1043140 | 0.43 | NBR | AL |
| 300 | 3" | L1043142 | 0.68 | NBR | AL |
| 400 | 4" | L1043144 | 0.92 | NBR | AL |
| 500 | 5" | L1043146 | 1.81 | NBR | AL |
| 600 | 6" | L1043148 | 1.78 | NBR | AL |
| 800 | 8" | L1043150 | 4.75 | NBR | AL |
| 1000 | 10" | - | - | NBR | AL |
| 1200 | 12" | - | - | NBR | AL |



| | | | | | |
|------|--------|----------|------|-----|----|
| 050 | 1/2" | L1063068 | 0.15 | NBR | BR |
| 075 | 3/4" | L1063071 | 0.23 | NBR | BR |
| 100 | 1" | L1063074 | 0.36 | NBR | BR |
| 125 | 1 1/4" | L1063077 | 0.49 | NBR | BR |
| 150 | 1 1/2" | L1063080 | 0.62 | NBR | BR |
| 200 | 2" | L1063083 | 0.77 | NBR | BR |
| 250 | 2 1/2" | L1063086 | 1.07 | NBR | BR |
| 300 | 3" | L1063089 | 1.58 | NBR | BR |
| 400 | 4" | L1063092 | 4.13 | NBR | BR |
| 500 | 5" | L1063098 | 3.32 | NBR | BR |
| 600 | 6" | L1063101 | 6.05 | NBR | BR |
| 800 | 8" | - | - | NBR | BR |
| 1000 | 10" | - | - | NBR | BR |
| 1200 | 12" | - | - | NBR | BR |



| | | | | | |
|-----|--------|----------|------|-----|----|
| 050 | 1/2" | L1073012 | 0.01 | NBR | PP |
| 075 | 3/4" | L1073013 | 0.08 | NBR | PP |
| 100 | 1" | L1073014 | 0.12 | NBR | PP |
| 125 | 1 1/4" | L1073015 | 0.23 | NBR | PP |
| 150 | 1 1/2" | L1076016 | 0.23 | NBR | PP |
| 200 | 2" | L1073017 | 0.31 | NBR | PP |
| 250 | 2 1/2" | L1073018 | 0.51 | NBR | PP |
| 300 | 3" | L1073019 | 0.64 | NBR | PP |
| 400 | 4" | L1073020 | 0.91 | NBR | PP |



* the serrated suitable to safety clamps and crimping ferrules(only for SS , BR , AL)

Type C-Smooth shank EN 14420-7(16bars)

| Name | Size | Code | Weight(kg) | Gasket | Material |
|------|--------|----------|------------|--------|----------|
| 050 | 1/2" | L1023012 | 0.12 | NBR | SS |
| 075 | 3/4" | L1023013 | 0.24 | NBR | SS |
| 100 | 1" | L1023014 | 0.35 | NBR | SS |
| 125 | 1 1/4" | L1023015 | 0.59 | NBR | SS |
| 150 | 1 1/2" | L1023016 | 0.68 | NBR | SS |
| 200 | 2" | L1023017 | 0.90 | NBR | SS |
| 250 | 2 1/2" | L1023018 | 1.24 | NBR | SS |
| 300 | 3" | L1023019 | 1.57 | NBR | SS |
| 400 | 4" | L1023020 | 2.59 | NBR | SS |



* Suitable for safety clamps and crimping ferrules.

| | | | | | |
|-----|--------|----------|------|-----|----|
| 050 | 1/2" | L1063023 | 0.15 | NBR | BR |
| 075 | 3/4" | L1063024 | 0.25 | NBR | BR |
| 100 | 1" | L1063025 | 0.38 | NBR | BR |
| 125 | 1 1/4" | L1063026 | 0.63 | NBR | BR |
| 150 | 1 1/2" | L1063027 | 0.69 | NBR | BR |
| 200 | 2" | L1063028 | 0.91 | NBR | BR |
| 250 | 2 1/2" | L1063029 | 1.18 | NBR | BR |
| 300 | 3" | L1063030 | 1.57 | NBR | BR |
| 400 | 4" | L1063031 | 2.71 | NBR | BR |



* Suitable for safety clamps and crimping ferrules.

Camlock D (Female NPT Thread/Gasket)

| Name | Thread | Code | Weight(kg) | Gasket | Material |
|------|--------|----------|------------|--------|----------|
| 050 | 1/2" | L1024001 | 0.13 | NBR | SS |
| 075 | 3/4" | L1024004 | 0.23 | NBR | SS |
| 100 | 1" | L1024007 | 0.31 | NBR | SS |
| 125 | 1 1/4" | L1024010 | 0.49 | NBR | SS |
| 150 | 1 1/2" | L1024013 | 0.55 | NBR | SS |
| 200 | 2" | L1024016 | 0.71 | NBR | SS |
| 250 | 2 1/2" | L1024019 | 1.01 | NBR | SS |
| 300 | 3" | L1024022 | 1.31 | NBR | SS |
| 400 | 4" | L1024025 | 2.14 | NBR | SS |
| 500 | 5" | L1024028 | 3.54 | NBR | SS |
| 600 | 6" | L1024031 | 4.61 | NBR | SS |
| 800 | 8" | - | - | NBR | SS |
| 1000 | 10" | - | - | NBR | SS |
| 1200 | 12" | - | - | NBR | SS |



| | | | | | |
|------|--------|----------|------|-----|----|
| 050 | 1/2" | L1044001 | 0.06 | NBR | AL |
| 075 | 3/4" | L1044004 | 0.12 | NBR | AL |
| 100 | 1" | L1044007 | 0.16 | NBR | AL |
| 125 | 1 1/4" | L1044010 | 0.28 | NBR | AL |
| 150 | 1 1/2" | L1044013 | 0.32 | NBR | AL |
| 200 | 2" | L1044016 | 0.36 | NBR | AL |
| 250 | 2 1/2" | L1044019 | 0.47 | NBR | AL |
| 300 | 3" | L1044022 | 0.73 | NBR | AL |
| 400 | 4" | L1044025 | 1.21 | NBR | AL |
| 500 | 5" | L1044028 | 1.41 | NBR | AL |
| 600 | 6" | L1044031 | 2.16 | NBR | AL |
| 800 | 8" | L1044035 | 2.61 | NBR | AL |
| 1000 | 10" | - | - | NBR | AL |
| 1200 | 12" | - | - | NBR | AL |



| | | | | | |
|------|--------|----------|------|-----|----|
| 050 | 1/2" | L1064001 | 0.16 | NBR | BR |
| 075 | 3/4" | L1064004 | 0.22 | NBR | BR |
| 100 | 1" | L1064007 | 0.32 | NBR | BR |
| 125 | 1 1/4" | L1064010 | 0.46 | NBR | BR |
| 150 | 1 1/2" | L1064013 | 0.54 | NBR | BR |
| 200 | 2" | L1064016 | 0.67 | NBR | BR |
| 250 | 2 1/2" | L1064019 | 0.94 | NBR | BR |
| 300 | 3" | L1064022 | 1.40 | NBR | BR |
| 400 | 4" | L1064025 | 2.09 | NBR | BR |
| 500 | 5" | L1064028 | 2.58 | NBR | BR |
| 600 | 6" | L1064031 | 5.02 | NBR | BR |
| 800 | 8" | - | - | NBR | BR |
| 1000 | 10" | - | - | NBR | BR |
| 1200 | 12" | - | - | NBR | BR |



| | | | | | |
|-----|--------|----------|------|-----|----|
| 050 | 1/2" | L1074001 | 0.07 | NBR | PP |
| 075 | 3/4" | L1074004 | 0.08 | NBR | PP |
| 100 | 1" | L1074007 | 0.13 | NBR | PP |
| 125 | 1 1/4" | L1074010 | 0.21 | NBR | PP |
| 150 | 1 1/2" | L1074013 | 0.23 | NBR | PP |
| 200 | 2" | L1074016 | 0.27 | NBR | PP |
| 250 | 2 1/2" | L1074019 | 0.44 | NBR | PP |
| 300 | 3" | L1074022 | 0.50 | NBR | PP |
| 400 | 4" | L1074025 | 0.75 | NBR | PP |



Camlock D (Female BSP Thread/Gasket)

| Name | Thread | Code | Weight(kg) | Gasket | Material |
|------|--------------|----------|------------|--------|----------|
| 050 | R2999-1/2" | L1024002 | 0.13 | NBR | SS |
| 075 | R2999-3/4" | L1024005 | 0.23 | NBR | SS |
| 100 | R2999-1" | L1024008 | 0.31 | NBR | SS |
| 125 | R2999-1 1/4" | L1024011 | 0.49 | NBR | SS |
| 150 | R2999-1 1/2" | L1024014 | 0.55 | NBR | SS |
| 200 | R2999-2" | L1024017 | 0.71 | NBR | SS |
| 250 | R2999-2 1/2" | L1024020 | 1.01 | NBR | SS |
| 300 | R2999-3" | L1024023 | 1.31 | NBR | SS |
| 400 | R2999-4" | L1024026 | 2.14 | NBR | SS |
| 500 | R2999-5" | L1024029 | 3.54 | NBR | SS |
| 600 | R2999-6" | L1024032 | 4.61 | NBR | SS |
| 800 | R2999-8" | L1024046 | - | NBR | SS |
| 1000 | R2999-10" | - | - | NBR | SS |
| 1200 | R2999-12" | - | - | NBR | SS |
| 050 | R2999-1/2" | L1044002 | 0.06 | NBR | AL |
| 075 | R2999-3/4" | L1044005 | 0.12 | NBR | AL |
| 100 | R2999-1" | L1044008 | 0.16 | NBR | AL |
| 125 | R2999-1 1/4" | L1044011 | 0.28 | NBR | AL |
| 150 | R2999-1 1/2" | L1044014 | 0.32 | NBR | AL |
| 200 | R2999-2" | L1044017 | 0.36 | NBR | AL |
| 250 | R2999-2 1/2" | L1044020 | 0.47 | NBR | AL |
| 300 | R2999-3" | L1044023 | 0.73 | NBR | AL |
| 400 | R2999-4" | L1044026 | 1.21 | NBR | AL |
| 500 | R2999-5" | L1044029 | 1.41 | NBR | AL |
| 600 | R2999-6" | L1044032 | 2.16 | NBR | AL |
| 800 | R2999-8" | - | 2.61 | NBR | AL |
| 1000 | R2999-10" | - | - | NBR | AL |
| 1200 | R2999-12" | - | - | NBR | AL |
| 050 | R2999-1/2" | L1064002 | 0.16 | NBR | BR |
| 075 | R2999-3/4" | L1064005 | 0.22 | NBR | BR |
| 100 | R2999-1" | L1064008 | 0.32 | NBR | BR |
| 125 | R2999-1 1/4" | L1064011 | 0.46 | NBR | BR |
| 150 | R2999-1 1/2" | L1064014 | 0.54 | NBR | BR |
| 200 | R2999-2" | L1064017 | 0.67 | NBR | BR |
| 250 | R2999-2 1/2" | L1064020 | 0.94 | NBR | BR |
| 300 | R2999-3" | L1064023 | 1.40 | NBR | BR |
| 400 | R2999-4" | L1064026 | 2.09 | NBR | BR |
| 500 | R2999-5" | L1064023 | 2.58 | NBR | BR |
| 600 | R2999-6" | L1064032 | 5.02 | NBR | BR |
| 800 | R2999-8" | - | - | NBR | BR |
| 1000 | R2999-10" | - | - | NBR | BR |
| 1200 | R2999-12" | - | - | NBR | BR |
| 050 | R2999-1/2" | L1074002 | 0.07 | NBR | PP |
| 075 | R2999-3/4" | L1074005 | 0.08 | NBR | PP |
| 100 | R2999-1" | L1074008 | 0.13 | NBR | PP |
| 125 | R2999-1 1/4" | L1074011 | 0.21 | NBR | PP |
| 150 | R2999-1 1/2" | L1074014 | 0.23 | NBR | PP |
| 200 | R2999-2" | L1074017 | 0.27 | NBR | PP |
| 250 | R2999-2 1/2" | L1074020 | 0.44 | NBR | PP |
| 300 | R2999-3" | L1074023 | 0.50 | NBR | PP |
| 400 | R2999-4" | L1074026 | 0.75 | NBR | PP |



Camlock D (Female BSPP Thread/Gasket)

| Name | Thread | Code | Weight(kg) | Thread gasket | Gasket | Material |
|------|---------------|----------|------------|---------------|--------|----------|
| 050 | ISO228-1/2" | L1024290 | 0.13 | PTFE | NBR | SS |
| 075 | ISO228-3/4" | L1024293 | 0.23 | PTFE | NBR | SS |
| 100 | ISO228-1" | L1024297 | 0.31 | PTFE | NBR | SS |
| 125 | ISO228-1 1/4" | L1024301 | 0.49 | PTFE | NBR | SS |
| 150 | ISO228-1 1/2" | L1024304 | 0.55 | PTFE | NBR | SS |
| 200 | ISO228-2" | L1024308 | 0.71 | PTFE | NBR | SS |
| 250 | ISO228-2 1/2" | L1024312 | 1.01 | PTFE | NBR | SS |
| 300 | ISO228-3" | L1024316 | 1.31 | PTFE | NBR | SS |
| 400 | ISO228-4" | L1024320 | 2.14 | PTFE | NBR | SS |
| 500 | ISO228-5" | L1024323 | 3.54 | PTFE | NBR | SS |
| 600 | ISO228-6" | L1024327 | 4.61 | PTFE | NBR | SS |
| 800 | ISO228-8" | L1024331 | - | PTFE | NBR | SS |
| 1000 | ISO228-10" | - | - | PTFE | NBR | SS |
| 1200 | ISO228-12" | - | - | PTFE | NBR | SS |



| | | | | | | |
|------|---------------|----------|------|-----|-----|----|
| 050 | ISO228-1/2" | L1044101 | 0.06 | NBR | NBR | AL |
| 075 | ISO228-3/4" | L1044105 | 0.12 | NBR | NBR | AL |
| 100 | ISO228-1" | L1044109 | 0.16 | NBR | NBR | AL |
| 125 | ISO228-1 1/4" | L1044113 | 0.28 | NBR | NBR | AL |
| 150 | ISO228-1 1/2" | L1044117 | 0.32 | NBR | NBR | AL |
| 200 | ISO228-2" | L1044121 | 0.36 | NBR | NBR | AL |
| 250 | ISO228-2 1/2" | L1044125 | 0.47 | NBR | NBR | AL |
| 300 | ISO228-3" | L1044129 | 0.73 | NBR | NBR | AL |
| 400 | ISO228-4" | L1044133 | 1.21 | NBR | NBR | AL |
| 500 | ISO228-5" | L1044137 | 1.41 | NBR | NBR | AL |
| 600 | ISO228-6" | L1044141 | 2.16 | NBR | NBR | AL |
| 800 | ISO228-8" | L1044145 | 2.61 | NBR | NBR | AL |
| 1000 | ISO228-10" | - | - | NBR | NBR | AL |
| 1200 | ISO228-12" | - | - | NBR | NBR | AL |



| | | | | | | |
|------|---------------|----------|------|-----|-----|----|
| 050 | ISO228-1/2" | L1064116 | 0.16 | NBR | NBR | BR |
| 075 | ISO228-3/4" | L1064120 | 0.22 | NBR | NBR | BR |
| 100 | ISO228-1" | L1064124 | 0.32 | NBR | NBR | BR |
| 125 | ISO228-1 1/4" | L1064128 | 0.46 | NBR | NBR | BR |
| 150 | ISO228-1 1/2" | L1064132 | 0.54 | NBR | NBR | BR |
| 200 | ISO228-2" | L1064136 | 0.67 | NBR | NBR | BR |
| 250 | ISO228-2 1/2" | L1064140 | 0.94 | NBR | NBR | BR |
| 300 | ISO228-3" | L1064144 | 1.40 | NBR | NBR | BR |
| 400 | ISO228-4" | L1061148 | 2.09 | NBR | NBR | BR |
| 500 | ISO228-5" | L1064152 | 2.58 | NBR | NBR | BR |
| 600 | ISO228-6" | L1064156 | 5.02 | NBR | NBR | BR |
| 800 | ISO228-8" | L1064160 | - | NBR | NBR | BR |
| 1000 | ISO228-10" | - | - | NBR | NBR | BR |
| 1200 | ISO228-12" | - | - | NBR | NBR | BR |



Camlock E

| Name | Size | Code | Weight(kg) | Material |
|------|--------|----------|------------|----------|
| 050 | 1/2" | L1025001 | 0.07 | SS |
| 075 | 3/4" | L1025002 | 0.14 | SS |
| 100 | 1" | L1025003 | 0.25 | SS |
| 125 | 1 1/4" | L1025004 | 0.37 | SS |
| 150 | 1 1/2" | L1025005 | 0.56 | SS |
| 200 | 2" | L1025006 | 0.85 | SS |
| 250 | 2 1/2" | L1025007 | 1.17 | SS |
| 300 | 3" | L1025008 | 1.73 | SS |
| 400 | 4" | L1025009 | 2.85 | SS |
| 500 | 5" | L1025010 | 4.05 | SS |
| 600 | 6" | L1025011 | 5.64 | SS |
| 800 | 8" | L1025038 | 10.11 | SS |
| 1000 | 10" | - | - | SS |
| 1200 | 12" | - | - | SS |
| | | | | |
| 050 | 1/2" | L1045001 | 0.03 | AL |
| 075 | 3/4" | L1045002 | 0.05 | AL |
| 100 | 1" | L1045003 | 0.09 | AL |
| 125 | 1 1/4" | L1045004 | 0.12 | AL |
| 150 | 1 1/2" | L1045005 | 0.19 | AL |
| 200 | 2" | L1045006 | 0.28 | AL |
| 250 | 2 1/2" | L1045007 | 0.45 | AL |
| 300 | 3" | L1045008 | 0.66 | AL |
| 400 | 4" | L1045009 | 1.13 | AL |
| 500 | 5" | L1045010 | 1.48 | AL |
| 600 | 6" | L1045011 | 2.21 | AL |
| 800 | 8" | L1045023 | 3.61 | AL |
| 1000 | 10" | - | - | AL |
| 1200 | 12" | - | - | AL |
| | | | | |
| 050 | 1/2" | L1065001 | 0.11 | BR |
| 075 | 3/4" | L1065002 | 0.16 | BR |
| 100 | 1" | L1065003 | 0.24 | BR |
| 125 | 1 1/4" | L1065004 | 0.33 | BR |
| 150 | 1 1/2" | L1065005 | 0.44 | BR |
| 200 | 2" | L1065006 | 0.73 | BR |
| 250 | 2 1/2" | L1065007 | 0.96 | BR |
| 300 | 3" | L1065008 | 1.25 | BR |
| 400 | 4" | L1065009 | 1.91 | BR |
| 500 | 5" | L1065010 | 4.54 | BR |
| 600 | 6" | L1065011 | 5.07 | BR |
| 800 | 8" | - | - | BR |
| 1000 | 10" | - | - | BR |
| 1200 | 12" | - | - | BR |
| | | | | |
| 050 | 1/2" | L1075001 | 0.01 | PP |
| 075 | 3/4" | L1075002 | 0.03 | PP |
| 100 | 1" | L1075003 | 0.04 | PP |
| 125 | 1 1/4" | L1075004 | 0.07 | PP |
| 150 | 1 1/2" | L1075005 | 0.09 | PP |
| 200 | 2" | L1075006 | 0.15 | PP |
| 250 | 2 1/2" | L1075007 | 0.25 | PP |
| 300 | 3" | L1075008 | 0.35 | PP |
| 400 | 4" | L1075009 | 0.55 | PP |



Type E - Serrated hose shank

| Name | Size | Code | Weight(kg) | Material |
|------|--------|----------|------------|----------|
| 050 | 1/2" | L1025113 | 0.07 | SS |
| 075 | 3/4" | L1025101 | 0.14 | SS |
| 100 | 1" | L1025102 | 0.25 | SS |
| 125 | 1 1/4" | L1025103 | 0.37 | SS |
| 150 | 1 1/2" | L1025104 | 0.56 | SS |
| 200 | 2" | L1025105 | 0.85 | SS |
| 250 | 2 1/2" | L1025106 | 1.17 | SS |
| 300 | 3" | L1025107 | 1.73 | SS |
| 400 | 4" | L1025108 | 2.85 | SS |
| 500 | 5" | L1025109 | 4.05 | SS |
| 600 | 6" | L1025110 | 5.64 | SS |
| 800 | 8" | L1025111 | 10.11 | SS |
| 1000 | 10" | - | - | SS |
| 1200 | 12" | - | - | SS |
| | | | | |
| 050 | 1/2" | L1045012 | 0.03 | AL |
| 075 | 3/4" | L1045013 | 0.05 | AL |
| 100 | 1" | L1045014 | 0.09 | AL |
| 125 | 1 1/4" | L1045015 | 0.12 | AL |
| 150 | 1 1/2" | L1045016 | 0.19 | AL |
| 200 | 2" | L1045104 | 0.28 | AL |
| 250 | 2 1/2" | L1045018 | 0.45 | AL |
| 300 | 3" | L1045019 | 0.66 | AL |
| 400 | 4" | L1045020 | 1.13 | AL |
| 500 | 5" | L1045021 | 1.48 | AL |
| 600 | 6" | L1045022 | 2.21 | AL |
| 800 | 8" | L1045025 | 3.61 | AL |
| 1000 | 10" | - | - | AL |
| 1200 | 12" | - | - | AL |
| | | | | |
| 050 | 1/2" | L1065012 | 0.11 | BR |
| 075 | 3/4" | L1065013 | 0.16 | BR |
| 100 | 1" | L1065014 | 0.24 | BR |
| 125 | 1 1/4" | L1065015 | 0.33 | BR |
| 150 | 1 1/2" | L1065016 | 0.44 | BR |
| 200 | 2" | L1065017 | 0.73 | BR |
| 250 | 2 1/2" | L1065018 | 0.96 | BR |
| 300 | 3" | L1065019 | 1.25 | BR |
| 400 | 4" | L1065020 | 1.91 | BR |
| 500 | 5" | L1065021 | 4.54 | BR |
| 600 | 6" | L1065022 | 5.07 | BR |
| 800 | 8" | L1065035 | 7.13 | BR |
| 1000 | 10" | - | - | BR |
| 1200 | 12" | - | - | BR |
| | | | | |
| 050 | 1/2" | L1075012 | 0.01 | PP |
| 075 | 3/4" | L1075013 | 0.03 | PP |
| 100 | 1" | L1075014 | 0.04 | PP |
| 125 | 1 1/4" | L1075015 | 0.07 | PP |
| 150 | 1 1/2" | L1075016 | 0.09 | PP |
| 200 | 2" | L1075017 | 0.15 | PP |
| 250 | 2 1/2" | L1075018 | 0.25 | PP |
| 300 | 3" | L1075019 | 0.35 | PP |
| 400 | 4" | L1075020 | 0.55 | PP |
| 600 | 6" | L1075022 | 0.75 | PP |



* the serrated suitable to safety clamps and crimping ferrules (only for SS BR AL)

Type E-Smooth shank EN 14420-7(16bars)

| Name | Size | Code | Weight(kg) | Material |
|------|--------|----------|------------|----------|
| 050 | 1/2" | L1025012 | 0.07 | SS |
| 075 | 3/4" | L1025013 | 0.13 | SS |
| 100 | 1" | L1025014 | 0.20 | SS |
| 125 | 1 1/4" | L1025015 | 0.33 | SS |
| 150 | 1 1/2" | L1025016 | 0.45 | SS |
| 200 | 2" | L1025017 | 0.58 | SS |
| 250 | 2 1/2" | L1025018 | 0.96 | SS |
| 300 | 3" | L1025019 | 1.16 | SS |
| 400 | 4" | L1025020 | 2.26 | SS |



* Suitable for safety clamps and crimping ferrules.

| | | | | |
|-----|--------|----------|------|----|
| 050 | 1/2" | L1065023 | 0.11 | BR |
| 075 | 3/4" | L1065024 | 0.14 | BR |
| 100 | 1" | L1065025 | 0.21 | BR |
| 125 | 1 1/4" | L1065026 | 0.35 | BR |
| 150 | 1 1/2" | L1065027 | 0.45 | BR |
| 200 | 2" | L1065028 | 0.66 | BR |
| 250 | 2 1/2" | L1065029 | 0.98 | BR |
| 300 | 3" | L1065030 | 1.26 | BR |
| 400 | 4" | L1065031 | 2.69 | BR |



* Suitable for safety clamps and crimping ferrules.

Camlock F(Male NPT Thread)

| Name | Thread | Code | Weight(kg) | Material |
|------|--------|----------|------------|----------|
| 050 | 1/2" | L1026001 | 0.13 | SS |
| 075 | 3/4" | L1026004 | 0.18 | SS |
| 100 | 1" | L1026009 | 0.25 | SS |
| 125 | 1 1/4" | L1026010 | 0.43 | SS |
| 150 | 1 1/2" | L1026012 | 0.51 | SS |
| 200 | 2" | L1026015 | 0.76 | SS |
| 250 | 2 1/2" | L1026018 | 0.84 | SS |
| 300 | 3" | L1026021 | 1.01 | SS |
| 400 | 4" | L1026024 | 1.73 | SS |
| 500 | 5" | L1026027 | 2.74 | SS |
| 600 | 6" | L1026030 | 4.28 | SS |
| 800 | 8" | L1026052 | 5.31 | SS |
| 1000 | 10" | - | - | SS |
| 1200 | 12" | - | - | SS |
| | | | | |
| 050 | 1/2" | L1046001 | 0.05 | AL |
| 075 | 3/4" | L1046004 | 0.11 | AL |
| 100 | 1" | L1046007 | 0.14 | AL |
| 125 | 1 1/4" | L1046010 | 0.24 | AL |
| 150 | 1 1/2" | L1046013 | 0.27 | AL |
| 200 | 2" | L1046016 | 0.33 | AL |
| 250 | 2 1/2" | L1046019 | 0.41 | AL |
| 300 | 3" | L1046022 | 0.65 | AL |
| 400 | 4" | L1016025 | 0.92 | AL |
| 500 | 5" | L1046028 | 1.16 | AL |
| 600 | 6" | L1046031 | 1.78 | AL |
| 800 | 8" | L1046034 | 4.21 | AL |
| 1000 | 10" | - | - | AL |
| 1200 | 12" | - | - | AL |
| | | | | |
| 050 | 1/2" | L1066001 | 0.12 | BR |
| 075 | 3/4" | L1066004 | 0.13 | BR |
| 100 | 1" | L1066007 | 0.27 | BR |
| 125 | 1 1/4" | L1066010 | 0.41 | BR |
| 150 | 1 1/2" | L1066013 | 0.48 | BR |
| 200 | 2" | L1066016 | 0.61 | BR |
| 250 | 2 1/2" | L1066019 | 0.77 | BR |
| 300 | 3" | L1066022 | 1.21 | BR |
| 400 | 4" | L1066025 | 1.87 | BR |
| 500 | 5" | L1066028 | 2.11 | BR |
| 600 | 6" | L1066031 | 3.72 | BR |
| 800 | 8" | - | - | BR |
| 1000 | 10" | - | - | BR |
| 1200 | 12" | - | - | BR |
| | | | | |
| 050 | 1/2" | L1076001 | 0.07 | PP |
| 075 | 3/4" | L1076004 | 0.07 | PP |
| 100 | 1" | L1076007 | 0.11 | PP |
| 125 | 1 1/4" | L1076010 | 0.21 | PP |
| 150 | 1 1/2" | L1076013 | 0.22 | PP |
| 200 | 2" | L1076016 | 0.24 | PP |
| 250 | 2 1/2" | L1076019 | 0.36 | PP |
| 300 | 3" | L1076022 | 0.43 | PP |
| 400 | 4" | L1076025 | 0.67 | PP |



Camlock F (Male BSPT Thread)

| Name | Thread | Code | Weight(kg) | Material |
|------|--------------|----------|------------|----------|
| 050 | R2999-1/2" | L1026002 | 0.13 | SS |
| 075 | R2999-3/4" | L1026005 | 0.18 | SS |
| 100 | R2999-1" | L1026008 | 0.25 | SS |
| 125 | R2999-1 1/4" | L1026011 | 0.43 | SS |
| 150 | R2999-1 1/2" | L1026014 | 0.51 | SS |
| 200 | R2999-2" | L1026017 | 0.76 | SS |
| 250 | R2999-2 1/2" | L1026020 | 0.84 | SS |
| 300 | R2999-3" | L1026023 | 1.01 | SS |
| 400 | R2999-4" | L1026026 | 1.73 | SS |
| 500 | R2999-5" | L1026029 | 2.74 | SS |
| 600 | R2999-6" | L1026032 | 4.28 | SS |
| 800 | R2999-8" | L1026053 | 5.31 | SS |
| 1000 | R2999-10" | - | - | SS |
| 1200 | R2999-12" | - | - | SS |
| | | | | |
| 050 | R2999-1/2" | L1046002 | 0.05 | AL |
| 075 | R2999-3/4" | L1046005 | 0.11 | AL |
| 100 | R2999-1" | L1046008 | 0.14 | AL |
| 125 | R2999-1 1/4" | L1046011 | 0.24 | AL |
| 150 | R2999-1 1/2" | L1046014 | 0.27 | AL |
| 200 | R2999-2" | L1046017 | 0.33 | AL |
| 250 | R2999-2 1/2" | L1046020 | 0.41 | AL |
| 300 | R2999-3" | L1046023 | 0.65 | AL |
| 400 | R2999-4" | L1016026 | 0.92 | AL |
| 500 | R2999-5" | L1046029 | 1.16 | AL |
| 600 | R2999-6" | L1046032 | 1.78 | AL |
| 800 | R2999-8" | - | 4.21 | AL |
| 1000 | R2999-10" | - | - | AL |
| 1200 | R2999-12" | - | - | AL |
| | | | | |
| 050 | R2999-1/2" | L1066002 | 0.12 | BR |
| 075 | R2999-3/4" | L1066005 | 0.13 | BR |
| 100 | R2999-1" | L1066008 | 0.27 | BR |
| 125 | R2999-1 1/4" | L1066011 | 0.41 | BR |
| 150 | R2999-1 1/2" | L1066014 | 0.48 | BR |
| 200 | R2999-2" | L1066017 | 0.61 | BR |
| 250 | R2999-2 1/2" | L1066020 | 0.77 | BR |
| 300 | R2999-3" | L1066023 | 1.21 | BR |
| 400 | R2999-4" | L1066026 | 1.87 | BR |
| 500 | R2999-5" | L1066029 | 2.11 | BR |
| 600 | R2999-6" | L1066032 | 3.72 | BR |
| 800 | R2999-8" | - | - | BR |
| 1000 | R2999-10" | - | - | BR |
| 1200 | R2999-12" | - | - | BR |
| | | | | |
| 050 | R2999-1/2" | L1076002 | 0.07 | PP |
| 075 | R2999-3/4" | L1076005 | 0.07 | PP |
| 100 | R2999-1" | L1076008 | 0.11 | PP |
| 125 | R2999-1 1/4" | L1076011 | 0.21 | PP |
| 150 | R2999-1 1/2" | L1076014 | 0.22 | PP |
| 200 | R2999-2" | L1076017 | 0.24 | PP |
| 250 | R2999-2 1/2" | L1076020 | 0.36 | PP |
| 300 | R2999-3" | L1076023 | 0.43 | PP |
| 400 | R2999-4" | L1076026 | 0.67 | PP |



Camlock DC(Gasket)

| Name | Size | Code | Weight(kg) | Gasket | Material |
|------|--------|----------|------------|--------|----------|
| 050 | 1/2" | L1028001 | 0.13 | NBR | SS |
| 075 | 3/4" | L1028002 | 0.18 | NBR | SS |
| 100 | 1" | L1028003 | 0.25 | NBR | SS |
| 125 | 1 1/4" | L1028004 | 0.43 | NBR | SS |
| 150 | 1 1/2" | L1028005 | 0.51 | NBR | SS |
| 200 | 2" | L1028006 | 0.76 | NBR | SS |
| 250 | 2 1/2" | L1028007 | 0.84 | NBR | SS |
| 300 | 3" | L1028008 | 1.01 | NBR | SS |
| 400 | 4" | L1028009 | 1.73 | NBR | SS |
| 500 | 5" | L1028010 | 2.74 | NBR | SS |
| 600 | 6" | L1028011 | 4.28 | NBR | SS |
| 800 | 8" | - | - | NBR | SS |
| 1000 | 10" | - | - | NBR | SS |
| 1200 | 12" | - | - | NBR | SS |



| | | | | | |
|------|--------|----------|------|-----|----|
| 050 | 1/2" | L1048001 | 0.05 | NBR | AL |
| 075 | 3/4" | L1048002 | 0.11 | NBR | AL |
| 100 | 1" | L1048003 | 0.14 | NBR | AL |
| 125 | 1 1/4" | L1048004 | 0.24 | NBR | AL |
| 150 | 1 1/2" | L1048005 | 0.27 | NBR | AL |
| 200 | 2" | L1048006 | 0.33 | NBR | AL |
| 250 | 2 1/2" | L1048007 | 0.41 | NBR | AL |
| 300 | 3" | L1048008 | 0.65 | NBR | AL |
| 400 | 4" | L1048009 | 0.92 | NBR | AL |
| 500 | 5" | L1048010 | 1.16 | NBR | AL |
| 600 | 6" | L1048011 | 1.78 | NBR | AL |
| 800 | 8" | L1048012 | 4.21 | NBR | AL |
| 1000 | 10" | - | - | NBR | AL |
| 1200 | 12" | - | - | NBR | AL |



| | | | | | |
|------|--------|----------|------|-----|----|
| 050 | 1/2" | L1068001 | 0.12 | NBR | BR |
| 075 | 3/4" | L1068002 | 0.13 | NBR | BR |
| 100 | 1" | L1068003 | 0.27 | NBR | BR |
| 125 | 1 1/4" | L1068004 | 0.41 | NBR | BR |
| 150 | 1 1/2" | L1068005 | 0.48 | NBR | BR |
| 200 | 2" | L1068006 | 0.61 | NBR | BR |
| 250 | 2 1/2" | L1068007 | 0.77 | NBR | BR |
| 300 | 3" | L1068008 | 1.21 | NBR | BR |
| 400 | 4" | L1068009 | 1.87 | NBR | BR |
| 500 | 5" | L1068010 | 2.11 | NBR | BR |
| 600 | 6" | L1068011 | 3.72 | NBR | BR |
| 800 | 8" | - | - | NBR | BR |
| 1000 | 10" | - | - | NBR | BR |
| 1200 | 12" | - | - | NBR | BR |



| | | | | | |
|-----|--------|----------|------|---|----|
| 050 | 1/2" | L1078001 | 0.07 | - | PP |
| 075 | 3/4" | L1078002 | 0.07 | - | PP |
| 100 | 1" | L1078003 | 0.11 | - | PP |
| 125 | 1 1/4" | L1078004 | 0.21 | - | PP |
| 150 | 1 1/2" | L1078005 | 0.22 | - | PP |
| 200 | 2" | L1078006 | 0.24 | - | PP |
| 250 | 2 1/2" | L1078007 | 0.36 | - | PP |
| 300 | 3" | L1078008 | 0.43 | - | PP |
| 400 | 4" | L1078009 | 0.67 | - | PP |



* we can add a chain on request.

Camlock DP

| Name | Size | Code | Weight(kg) | Accessories | Material |
|------|--------|----------|------------|-------------|----------|
| 050 | 1/2" | L1027001 | 0.06 | Chain | SS |
| 075 | 3/4" | L1027002 | 0.08 | Chain | SS |
| 100 | 1" | L1027003 | 0.13 | Chain | SS |
| 125 | 1 1/4" | L1027004 | 0.25 | Chain | SS |
| 150 | 1 1/2" | L1027005 | 0.32 | Chain | SS |
| 200 | 2" | L1027006 | 0.46 | Chain | SS |
| 250 | 2 1/2" | L1027007 | 0.67 | Chain | SS |
| 300 | 3" | L1027008 | 0.93 | Chain | SS |
| 400 | 4" | L1027009 | 1.59 | Chain | SS |
| 500 | 5" | L1027010 | 1.91 | Chain | SS |
| 600 | 6" | L1027011 | 3.84 | Chain | SS |
| 800 | 8" | - | - | Chain | SS |
| 1000 | 10" | - | - | Chain | SS |
| 1200 | 12" | - | - | Chain | SS |
| | | | | | |
| 050 | 1/2" | L1047001 | 0.02 | Chain | AL |
| 075 | 3/4" | L1047002 | 0.03 | Chain | AL |
| 100 | 1" | L1047003 | 0.05 | Chain | AL |
| 125 | 1 1/4" | L1047004 | 0.07 | Chain | AL |
| 150 | 1 1/2" | L1047005 | 0.12 | Chain | AL |
| 200 | 2" | L1047006 | 0.16 | Chain | AL |
| 250 | 2 1/2" | L1047007 | 0.22 | Chain | AL |
| 300 | 3" | L1047008 | 0.28 | Chain | AL |
| 400 | 4" | L1047009 | 0.51 | Chain | AL |
| 500 | 5" | L1047010 | 0.55 | Chain | AL |
| 600 | 6" | L1047011 | 0.74 | Chain | AL |
| 800 | 8" | L1047012 | 4.21 | Chain | AL |
| 1000 | 10" | - | - | Chain | AL |
| 1200 | 12" | - | - | Chain | AL |
| | | | | | |
| 050 | 1/2" | L1067001 | 0.07 | Chain | BR |
| 075 | 3/4" | L1067002 | 0.09 | Chain | BR |
| 100 | 1" | L1067003 | 0.13 | Chain | BR |
| 125 | 1 1/4" | L1067004 | 0.21 | Chain | BR |
| 150 | 1 1/2" | L1067005 | 0.24 | Chain | BR |
| 200 | 2" | L1067006 | 0.41 | Chain | BR |
| 250 | 2 1/2" | L1067007 | 0.59 | Chain | BR |
| 300 | 3" | L1067008 | 0.72 | Chain | BR |
| 400 | 4" | L1067009 | 1.03 | Chain | BR |
| 500 | 5" | L1067010 | 1.61 | Chain | BR |
| 600 | 6" | L1067011 | 1.81 | Chain | BR |
| 800 | 8" | - | - | Chain | BR |
| 1000 | 10" | - | - | Chain | BR |
| 1200 | 12" | - | - | Chain | BR |
| | | | | | |
| 050 | 1/2" | L1077001 | 0.01 | Chain | PP |
| 075 | 3/4" | L1077002 | 0.01 | Chain | PP |
| 100 | 1" | L1077003 | 0.02 | Chain | PP |
| 125 | 1 1/4" | L1077004 | 0.04 | Chain | PP |
| 150 | 1 1/2" | L1077005 | 0.05 | Chain | PP |
| 200 | 2" | L1077006 | 0.08 | Chain | PP |
| 250 | 2 1/2" | L1077007 | 0.17 | Chain | PP |
| 300 | 3" | L1077008 | 0.22 | Chain | PP |
| 400 | 4" | L1077009 | 0.26 | Chain | PP |



* we can add a chain on request.

Camlock DC with special handle

| Name | Size | Code | Weight(kg) | Gasket | Material |
|-------|--------|----------|------------|--------|----------|
| DN 32 | 1 1/4" | L1048031 | 0.24 | NBR | AL |
| DN 40 | 1 1/2" | L1048032 | 0.27 | NBR | AL |
| DN 50 | 2" | L1048033 | 0.33 | NBR | AL |
| DN 65 | 2 1/2" | L1048034 | 0.41 | NBR | AL |
| DN 80 | 3" | L1048035 | 0.65 | NBR | AL |



Camlock adapter FW welding

| Name | Weld Size | Code | Weight(kg) | Material |
|-------|-----------|----------|------------|----------|
| DN15 | 21.3*2.3 | L1013054 | 0.07 | SS |
| DN20 | 26.9*2.3 | L1013055 | 0.11 | SS |
| DN25 | 33.7*2.6 | L1013056 | 0.15 | SS |
| DN32 | 42.2*2.6 | L1013057 | 0.24 | SS |
| DN40 | 48.3*2.6 | L1013058 | 0.32 | SS |
| DN50 | 60.3*2.9 | L1013059 | 0.42 | SS |
| DN65 | 76.1*2.9 | L1013060 | 0.71 | SS |
| DN80 | 88.9*3.2 | L1013061 | 0.73 | SS |
| DN100 | 114.3*3.6 | L1013062 | 1.42 | SS |
| DN125 | 139.7*3.6 | L1013063 | - | SS |
| DN150 | 168.3*4.5 | L1013064 | - | SS |



Camlock coupling BW welding

| Name | Weld Size | Code | Weight(kg) | Gasket | Material |
|-------|-----------|----------|------------|--------|----------|
| DN15 | 21.3*2.3 | L1022366 | 0.12 | NBR | SS |
| DN20 | 26.9*2.3 | L1022360 | 0.20 | NBR | SS |
| DN25 | 33.7*2.6 | L1022357 | 0.29 | NBR | SS |
| DN32 | 42.2*2.6 | L1022365 | 0.47 | NBR | SS |
| DN40 | 48.3*2.6 | L1022355 | 0.54 | NBR | SS |
| DN50 | 60.3*2.9 | L1022367 | 0.67 | NBR | SS |
| DN65 | 76.1*2.9 | L1022368 | 1.14 | NBR | SS |
| DN80 | 88.9*3.2 | L1022369 | 1.35 | NBR | SS |
| DN100 | 114.3*3.6 | L1022361 | 1.97 | NBR | SS |
| DN125 | 139.7*4 | L1013052 | 2.98 | NBR | SS |
| DN150 | 168.3*4.5 | L1013053 | 4.11 | NBR | SS |



Camlock-Reduction(DD)

| Code | Size | Gasket | Material |
|----------|-------------------------------------|--------|----------|
| L1012093 | 1 1/2" x 1 1/2" dual coupler D type | NBR | AL |
| L1012094 | 2" x 2" dual coupler D type | NBR | AL |
| L1012095 | 3" x 3" dual coupler D type | NBR | AL |
| L1012096 | 4" x 4" dual coupler D type | NBR | AL |
| L1012086 | 6" x 6" dual coupler D type | NBR | AL |



Camlock-Reduction(DA)

| Code | Size | Gasket | Material |
|----------|---|--------|----------|
| L1012055 | 1.1/2" coupler D type x 1" adapter A type | NBR | AL |
| L1012056 | 1.1/2" coupler D type x 2" adapter A type | NBR | AL |
| L1012057 | 2" coupler D type x 1.1/2" adapter A type | NBR | AL |
| L1012058 | 2" coupler D type x 3" adapter A type | NBR | AL |
| L1012059 | 2" coupler D type x 4" adapter A type | NBR | AL |
| L1012060 | 3" coupler D type x 1 1/2" adapter A type | NBR | AL |
| L1012061 | 3" coupler D type x 2" adapter A type | NBR | AL |
| L1012062 | 3" coupler D type x 2 1/2" adapter A type | NBR | AL |
| L1012063 | 3" coupler D type x 4" adapter A type | NBR | AL |
| L1012064 | 4" coupler D type x 2" adapter A type | NBR | AL |
| L1012065 | 4" coupler D type x 3" adapter A type | NBR | AL |
| L1012066 | 4" coupler D type x 6" adapter A type | NBR | AL |
| L1012067 | 6" coupler D type x 4" adapter A type | NBR | AL |



Camlock-Reduction(AA)

| Code | Size | Material |
|----------|-------------------------------------|----------|
| L1012097 | dual adapter A type 1" x 1" | AL |
| L1012039 | dual adapter A type 1 1/4" x 1 1/4" | AL |
| L1012040 | dual adapter A type 1 1/2" x 1 1/2" | AL |
| L1012041 | dual adapter A type 1 1/2" x 2" | AL |
| L1012098 | dual adapter A type 2" x 2" | AL |
| L1012042 | dual adapter A type 2" x 2 1/2" | AL |
| L1012043 | dual adapter A type 2" x 3" | AL |
| L1012026 | dual adapter A type 3" x 3" | AL |
| L1012044 | dual adapter A type 3" x 4" | AL |
| L1012045 | dual adapter A type 4" x 4" | AL |
| L1012046 | dual adapter A type 4" x 6" | AL |
| L1012047 | dual adapter A type 6" x 6" | AL |



Camlock Reduction(AR)

| Code | Size | Gasket | Material |
|----------|--|--------|----------|
| L1012099 | 2" adapter A type with 3" female thread (ISO228) | NBR | AL |
| L1012100 | 3" adapter A type with 2" female thread (ISO228) | NBR | AL |
| L1012101 | 3" adapter A type with 4" female thread (ISO228) | NBR | AL |
| L1012102 | 4" adapter A type with 3" female thread (ISO228) | NBR | AL |
| L1012103 | 4" adapter A type with 6" female thread (ISO228) | NBR | AL |
| L1012104 | 6" adapter A type with 4" female thread (ISO228) | NBR | AL |



Camlock Reduction(BR)

| Code | Size | Gasket | Material |
|----------|---|--------|----------|
| L1012106 | 1.1/2" coupler B type with 1" male thread (R2999) | NBR | AL |
| L1012107 | 2" coupler B type with 1 1/2" male thread (R2999) | NBR | AL |
| L1012108 | 3" coupler B type with 2" male thread (R2999) | NBR | AL |
| L1012109 | 3" coupler B type with 4" male thread (R2999) | NBR | AL |
| L1012110 | 4" coupler B type with 3" male thread (R2999) | NBR | AL |



Camlock Reduction(CR)

| Code | Size | Gasket | Material |
|----------|-------------------------------------|--------|----------|
| L1012111 | 3" coupler C type with 2" hose tail | NBR | AL |
| L1012112 | 3" coupler C type with 4" hose tail | NBR | AL |
| L1012113 | 4" coupler C type with 3" hose tail | NBR | AL |



Camlock Reduction(ER)

| Code | Size | Material |
|----------|-------------------------------------|----------|
| L1012018 | 3" adapter E type with 2" hose tail | AL |
| L1012019 | 4" adapter E type with 2" hose tail | AL |
| L1012020 | 4" adapter E type with 3" hose tail | AL |



Camlock Reduction(FR)

| Code | Size | Material |
|----------|---|----------|
| L1012105 | 3" adapter F type with 1.1/2" male thread (R2999) | AL |
| L1012021 | 3" adapter F type with 2" male thread (R2999) | AL |
| L1012022 | 3" adapter F type with 2" male thread (R2999) | AL |
| L1012023 | 3" adapter F type with 4" male thread (R2999) | AL |
| L1012024 | 4" adapter F type with 3" male thread (R2999) | AL |



Camlock-CVR

| Code | Size | Gasket | Material |
|----------|------------------------------|--------|----------|
| L1012016 | 4" coupler with 3" hose tail | NBR | AL |
| L1012017 | 4" coupler with 4" hose tail | NBR | AL |



Camlock-DVR

| Code | Size | Gasket | Material |
|----------|---|--------|----------|
| L1012015 | 4" coupler with 3" female thread (ISO228) | NBR | AL |



Camlock - API

| Code | Size | Gasket | Material |
|----------|--|--------|----------|
| L1012001 | 6" coupler with 3" male thread (R2999) | NBR | AL |



Camlock - API(without sight glass)

| Code | Size | Gasket | Material |
|----------|----------------------------|--------|----------|
| L1012002 | 6" coupler with 3" adapter | NBR | AL |



Camlock - API(with thread)

| Code | Size | Gasket | Material |
|----------|------------------------------------|--------|----------|
| L1012003 | 6" coupler with 3" adapter (R2999) | NBR | AL |



Camlock Flange(AFL)

| Name | Size | Code | Weight(kg) | Material |
|-------|------|----------|------------|----------|
| DN25 | 1" | L1033005 | 1.35 | SS |
| DN50 | 2" | L1033006 | 3.29 | SS |
| DN80 | 3" | L1033007 | 4.80 | SS |
| DN100 | 4" | L1033008 | 7.21 | SS |
| DN125 | 5" | L1033009 | 9.82 | SS |
| DN150 | 6" | L1033010 | 13.86 | SS |
| DN80 | 3" | L1033001 | 2.24 | AL |
| DN100 | 4" | L1033002 | 3.67 | AL |
| DN125 | 5" | L1033003 | 5.24 | AL |
| DN150 | 6" | L1033004 | 7.67 | AL |

* Flange PN-ASA according your needs.



Camlock Flange(BFL)

| Name | Inch | Code | Weight(kg) | Gasket | Material |
|-------|--------|----------|------------|--------|----------|
| DN25 | 1/2" | L1033011 | 1.09 | NBR | SS |
| DN50 | 3/4" | L1033012 | 2.87 | NBR | SS |
| DN80 | 1" | L1033013 | 5.16 | NBR | SS |
| DN100 | 1 1/4" | L1033014 | 7.44 | NBR | SS |
| DN125 | 1 1/2" | L1033015 | 9.86 | NBR | SS |
| DN150 | 2" | L1033016 | 11.77 | NBR | SS |

* Flange PN-ASA according your needs.



Type C- swivel 360° smooth hose tail

| Name | Size | Code | Weight(kg) | Gasket | Material |
|-------|--------|----------|------------|--------|----------|
| DN50 | 2" | L1023122 | 0.71 | NBR | SS |
| DN65 | 2 1/2" | L1023123 | 1.01 | NBR | SS |
| DN80 | 3" | L1023124 | 1.31 | NBR | SS |
| DN100 | 4" | L1023125 | 2.14 | NBR | SS |



Typc C 90° hose shank

| Name | Size | Code | Weight(kg) | Gasket | Material |
|-------|--------|----------|------------|--------|----------|
| DN150 | 1 1/2" | L1036001 | 1.71 | NBR | SS |
| DN200 | 2" | L1036002 | 2.01 | NBR | SS |
| DN150 | 1 1/2" | L1036003 | 1.24 | NBR | AL |
| DN200 | 2" | L1036004 | 1.67 | NBR | AL |



Gasket-NBR

| Name | Size | Code | OD | ID | H | Colour | Material |
|-------|--------|----------|-------|-------|-----|--------|----------|
| DN15 | 1/2" | L1090017 | 26.5 | 17.5 | 4.0 | Black | NBR |
| DN20 | 3/4" | L1090076 | 35 | 22 | 5.5 | Black | NBR |
| DN25 | 1" | L1090077 | 40 | 27 | 6.4 | Black | NBR |
| DN32 | 1 1/4" | L1090078 | 50 | 35 | 6.4 | Black | NBR |
| DN40 | 1 1/2" | L1090079 | 56 | 41 | 6.4 | Black | NBR |
| DN50 | 2" | L1090080 | 67 | 51 | 6.4 | Black | NBR |
| DN65 | 2 1/2" | L1090081 | 80 | 60 | 6.4 | Black | NBR |
| DN80 | 3" | L1090082 | 95 | 76 | 6.4 | Black | NBR |
| DN100 | 4" | L1090083 | 124 | 102 | 6.4 | Black | NBR |
| DN125 | 5" | L1090084 | 150.5 | 124 | 6.4 | Black | NBR |
| DN150 | 6" | L1090085 | 180 | 153 | 6.4 | Black | NBR |
| DN200 | 8" | L1090086 | 232.5 | 203.5 | 7.9 | Black | NBR |



Gasket-EPDM

| Name | Size | Code | OD | ID | H | Colour | Material |
|-------|--------|----------|-------|-------|-----|---------|----------|
| DN15 | 1/2" | L1090099 | 26.5 | 17.5 | 4.0 | Black ● | EPDM |
| DN20 | 3/4" | L1090100 | 35 | 22 | 5.5 | Black ● | EPDM |
| DN25 | 1" | L1090101 | 40 | 27 | 6.4 | Black ● | EPDM |
| DN32 | 1 1/4" | L1090102 | 50 | 35 | 6.4 | Black ● | EPDM |
| DN40 | 1 1/2" | L1090103 | 56 | 41 | 6.4 | Black ● | EPDM |
| DN50 | 2" | L1090104 | 67 | 51 | 6.4 | Black ● | EPDM |
| DN65 | 2 1/2" | L1090105 | 80 | 60 | 6.4 | Black ● | EPDM |
| DN80 | 3" | L1090106 | 95 | 76 | 6.4 | Black ● | EPDM |
| DN100 | 4" | L1090107 | 124 | 102 | 6.4 | Black ● | EPDM |
| DN125 | 5" | L1090108 | 150.5 | 124 | 6.4 | Black ● | EPDM |
| DN150 | 6" | L1090109 | 180 | 153 | 6.4 | Black ● | EPDM |
| DN200 | 8" | L1090110 | 232.5 | 203.5 | 7.9 | Black ● | EPDM |



Gasket-FPM(Viton®)

| Name | Size | Code | OD | ID | H | Colour | Material |
|-------|--------|----------|-------|-------|-----|--------|----------|
| DN15 | 1/2" | L1090135 | 26.5 | 17.5 | 4.0 | Green | FPM |
| DN20 | 3/4" | L1090136 | 35 | 22 | 5.5 | Green | FPM |
| DN25 | 1" | L1090137 | 40 | 27 | 6.4 | Green | FPM |
| DN32 | 1 1/4" | L1090138 | 50 | 35 | 6.4 | Green | FPM |
| DN40 | 1 1/2" | L1090139 | 56 | 41 | 6.4 | Green | FPM |
| DN50 | 2" | L1090140 | 67 | 51 | 6.4 | Green | FPM |
| DN65 | 2 1/2" | L1090141 | 80 | 60 | 6.4 | Green | FPM |
| DN80 | 3" | L1090142 | 95 | 76 | 6.4 | Green | FPM |
| DN100 | 4" | L1090143 | 124 | 102 | 6.4 | Green | FPM |
| DN125 | 5" | L1090144 | 150.5 | 124 | 6.4 | Green | FPM |
| DN150 | 6" | L1090145 | 180 | 153 | 6.4 | Green | FPM |
| DN200 | 8" | L1090146 | 232.5 | 203.5 | 7.9 | Green | FPM |



Gasket-CSM(Hypalon®)

| Name | Size | Code | OD | ID | H | Colour | Material |
|-------|--------|----------|-------|-------|-----|---------|----------|
| DN15 | 1/2" | L1090147 | 26.5 | 17.5 | 4.0 | Green ● | CSM |
| DN20 | 3/4" | L1090148 | 35 | 22 | 5.5 | Green ● | CSM |
| DN25 | 1" | L1090149 | 40 | 27 | 6.4 | Green ● | CSM |
| DN32 | 1 1/4" | L1090150 | 50 | 35 | 6.4 | Green ● | CSM |
| DN40 | 1 1/2" | L1090151 | 56 | 41 | 6.4 | Green ● | CSM |
| DN50 | 2" | L1090152 | 67 | 51 | 6.4 | Green ● | CSM |
| DN65 | 2 1/2" | L1090153 | 80 | 60 | 6.4 | Green ● | CSM |
| DN80 | 3" | L1090154 | 95 | 76 | 6.4 | Green ● | CSM |
| DN100 | 4" | L1090155 | 124 | 102 | 6.4 | Green ● | CSM |
| DN125 | 5" | L1090156 | 150.5 | 124 | 6.4 | Green ● | CSM |
| DN150 | 6" | L1090157 | 180 | 153 | 6.4 | Green ● | CSM |
| DN200 | 8" | L1090158 | 232.5 | 203.5 | 7.9 | Green ● | CSM |



Gasket PTFE-NBR

| Name | Size | Code | OD | ID | H | Colour | Material |
|-------|--------|----------|-------|-------|-----|-------------|----------|
| DN15 | 1/2" | L1090037 | 26.5 | 17.5 | 4.0 | White-Black | PTFE-NBR |
| DN20 | 3/4" | L1090219 | 35 | 22 | 5.5 | White-Black | PTFE-NBR |
| DN25 | 1" | L1090220 | 40 | 27 | 6.4 | White-Black | PTFE-NBR |
| DN32 | 1 1/4" | L1090221 | 50 | 35 | 6.4 | White-Black | PTFE-NBR |
| DN40 | 1 1/2" | L1090222 | 56 | 41 | 6.4 | White-Black | PTFE-NBR |
| DN50 | 2" | L1090223 | 67 | 51 | 6.4 | White-Black | PTFE-NBR |
| DN65 | 2 1/2" | L1090224 | 80 | 60 | 6.4 | White-Black | PTFE-NBR |
| DN80 | 3" | L1090225 | 95 | 76 | 6.4 | White-Black | PTFE-NBR |
| DN100 | 4" | L1090226 | 124 | 102 | 6.4 | White-Black | PTFE-NBR |
| DN125 | 5" | L1090227 | 150.5 | 124 | 6.4 | White-Black | PTFE-NBR |
| DN150 | 6" | L1090228 | 180 | 153 | 6.4 | White-Black | PTFE-NBR |
| DN200 | 8" | L1090229 | 232.5 | 203.5 | 7.9 | White-Black | PTFE-NBR |



Gasket PTFE-EPDM

| Name | Size | Code | OD | ID | H | Colour | Material |
|-------|--------|----------|-------|-------|-----|--------------|-----------|
| DN15 | 1/2" | L1090195 | 26.5 | 17.5 | 4.0 | White-Black● | PTFE-EPDM |
| DN20 | 3/4" | L1090196 | 35 | 22 | 5.5 | White-Black● | PTFE-EPDM |
| DN25 | 1" | L1090197 | 40 | 27 | 6.4 | White-Black● | PTFE-EPDM |
| DN32 | 1 1/4" | L1090198 | 50 | 35 | 6.4 | White-Black● | PTFE-EPDM |
| DN40 | 1 1/2" | L1090199 | 56 | 41 | 6.4 | White-Black● | PTFE-EPDM |
| DN50 | 2" | L1090200 | 67 | 51 | 6.4 | White-Black● | PTFE-EPDM |
| DN65 | 2 1/2" | L1090201 | 80 | 60 | 6.4 | White-Black● | PTFE-EPDM |
| DN80 | 3" | L1090202 | 95 | 76 | 6.4 | White-Black● | PTFE-EPDM |
| DN100 | 4" | L1090203 | 124 | 102 | 6.4 | White-Black● | PTFE-EPDM |
| DN125 | 5" | L1090204 | 150.5 | 124 | 6.4 | White-Black● | PTFE-EPDM |
| DN150 | 6" | L1090205 | 180 | 153 | 6.4 | White-Black● | PTFE-EPDM |
| DN200 | 8" | L1090206 | 232.5 | 203.5 | 7.9 | White-Black● | PTFE-EPDM |



Gasket PTFE-FPM

| Name | Size | Code | OD | ID | H | Colour | Material |
|-------|--------|----------|-------|-------|-----|-------------|----------|
| DN15 | 1/2" | L1090207 | 26.5 | 17.5 | 4.0 | White-Black | PTFE-FPM |
| DN20 | 3/4" | L1090208 | 35 | 22 | 5.5 | White-Black | PTFE-FPM |
| DN25 | 1" | L1090209 | 40 | 27 | 6.4 | White-Black | PTFE-FPM |
| DN32 | 1 1/4" | L1090210 | 50 | 35 | 6.4 | White-Black | PTFE-FPM |
| DN40 | 1 1/2" | L1090211 | 56 | 41 | 6.4 | White-Black | PTFE-FPM |
| DN50 | 2" | L1090212 | 67 | 51 | 6.4 | White-Black | PTFE-FPM |
| DN65 | 2 1/2" | L1090213 | 80 | 60 | 6.4 | White-Black | PTFE-FPM |
| DN80 | 3" | L1090214 | 95 | 76 | 6.4 | White-Black | PTFE-FPM |
| DN100 | 4" | L1090215 | 124 | 102 | 6.4 | White-Black | PTFE-FPM |
| DN125 | 5" | L1090216 | 150.5 | 124 | 6.4 | White-Black | PTFE-FPM |
| DN150 | 6" | L1090217 | 180 | 153 | 6.4 | White-Black | PTFE-FPM |
| DN200 | 8" | L1090218 | 232.5 | 203.5 | 7.9 | White-Black | PTFE-FPM |



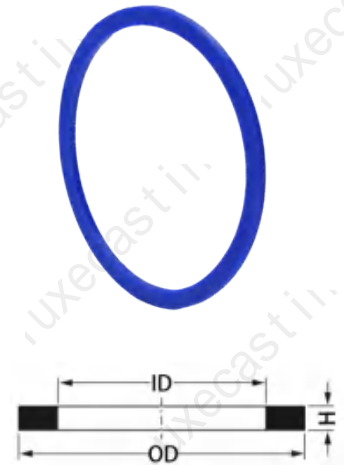
Thread Gasket-PTFE

| Name | Size | Code | OD | ID | H | Colour | Material |
|-------|--------|----------|-------|-------|-----|--------|----------|
| DN15 | 1/2" | L1090171 | 26 | 19 | 1.5 | White | PTFE |
| DN20 | 3/4" | L1090172 | 33 | 24 | 2 | White | PTFE |
| DN25 | 1" | L1090173 | 42 | 33 | 2 | White | PTFE |
| DN32 | 1 1/4" | L1090174 | 48 | 39 | 2 | White | PTFE |
| DN40 | 1 1/2" | L1090175 | 60 | 49 | 2 | White | PTFE |
| DN50 | 2" | L1090176 | 76 | 63 | 2 | White | PTFE |
| DN65 | 2 1/2" | L1090177 | 88 | 77 | 2.5 | White | PTFE |
| DN80 | 3" | L1090178 | 114 | 100 | 3 | White | PTFE |
| DN100 | 4" | L1090179 | 124 | 102 | 3 | White | PTFE |
| DN125 | 5" | L1090180 | 150.5 | 124 | 3 | White | PTFE |
| DN150 | 6" | L1090181 | 180 | 153 | 3 | White | PTFE |
| DN200 | 8" | L1090182 | 232.5 | 203.5 | 4 | White | PTFE |



Thread Gasket-PU

| Name | Size | Code | OD | ID | H | Colour | Material |
|-------|--------|----------|-------|-------|-----|--------|----------|
| DN15 | 1/2" | L9001873 | 26 | 19 | 1.5 | BLUE | PU |
| DN20 | 3/4" | L9001874 | 33 | 24 | 2 | BLUE | PU |
| DN25 | 1" | L9001875 | 42 | 33 | 2 | BLUE | PU |
| DN32 | 1 1/4" | L9001876 | 48 | 39 | 2 | BLUE | PU |
| DN40 | 1 1/2" | L9001877 | 60 | 49 | 2 | BLUE | PU |
| DN50 | 2" | L9001878 | 76 | 63 | 2 | BLUE | PU |
| DN65 | 2 1/2" | L9001879 | 88 | 77 | 2.5 | BLUE | PU |
| DN80 | 3" | L9001880 | 114 | 100 | 3 | BLUE | PU |
| DN100 | 4" | L9001881 | 124 | 102 | 3 | BLUE | PU |
| DN125 | 5" | L9001882 | 150.5 | 124 | 3 | BLUE | PU |
| DN150 | 6" | L9001883 | 180 | 153 | 3 | BLUE | PU |
| DN200 | 8" | L9001884 | 232.5 | 203.5 | 4 | BLUE | PU |



Thread Gasket-NBR

| Name | Size | Code | OD | ID | H | Colour | Material |
|-------|--------|----------|-------|-------|-----|--------|----------|
| DN15 | 1/2" | L9001825 | 26 | 19 | 1.5 | Black | NBR |
| DN20 | 3/4" | L9001826 | 33 | 24 | 2 | Black | NBR |
| DN25 | 1" | L9001827 | 42 | 33 | 2 | Black | NBR |
| DN32 | 1 1/4" | L9001828 | 48 | 39 | 2 | Black | NBR |
| DN40 | 1 1/2" | L9001829 | 60 | 49 | 2 | Black | NBR |
| DN50 | 2" | L9001830 | 76 | 63 | 2 | Black | NBR |
| DN65 | 2 1/2" | L9001831 | 88 | 77 | 2.5 | Black | NBR |
| DN80 | 3" | L9001832 | 114 | 100 | 3 | Black | NBR |
| DN100 | 4" | L9001833 | 124 | 102 | 3 | Black | NBR |
| DN125 | 5" | L9001834 | 150.5 | 124 | 3 | Black | NBR |
| DN150 | 6" | L9001835 | 180 | 153 | 3 | Black | NBR |
| DN200 | 8" | L9001836 | 232.5 | 203.5 | 4 | Black | NBR |



HANDLE SET :Handle+ring+pin+clip

| Name | Size | Code | Material |
|----------|---------------|----------|----------|
| DN15-20 | 1/2"-3/4" | L1009078 | SS |
| DN25 | 1" | L1009079 | SS |
| DN32-65 | 1 1/4"-2 1/2" | L1009080 | SS |
| DN80-125 | 3"-5" | L1009081 | SS |
| DN150 | 6" | L1009096 | SS |

PULL RING

| Name | Size | Code | Material |
|----------|---------------|----------|----------|
| DN15-25 | 1/2"-1" | L1090289 | SS |
| DN32-65 | 1 1/4"-2 1/2" | L1090290 | SS |
| DN80-125 | 3"-6" | L1090291 | SS |

PIN

| Name | Size | Code | Material |
|----------|---------------|----------|----------|
| DN15-20 | 1/2"-3/4" | L1090233 | SS |
| DN25 | 1" | L1090234 | SS |
| DN32-65 | 1 1/4"-2 1/2" | L1090237 | SS |
| DN80-100 | 3"-4" | L1090238 | SS |

SAFETY CLIP

| Name | Code | Material |
|-------------|----------|----------|
| SAFETY CLIP | L1090046 | SS |

CHAIN WITH S-HOOK

| Name | Size | Code | Material |
|-------------------|-------|----------|----------|
| CHAIN WITH S-HOOK | 200mm | L0110001 | SS |
| CHAIN WITH S-HOOK | 300mm | L0110002 | SS |





Luxecasting International Group

Distribution Center Germany

Production Center Germany

• Distribution Center Poland

Production Center China

Production Center :

LUXECASTING Machinery +86 795 7066 681

LUXECASTING Germany +49 5232 9226 0

Distribution Center :

LUXECASTING Europe +49 210 450 839 21

LUXECASTING Poland +48 503 834 570

info@luxecasting.com
www.luxecasting.com