



Luxecasting  
International Group

# Autolock Camlock Couplings



# 100 % On Site Production

## STAINLESS STEEL CAMLOCK INVESTMENT CASTING PROCESS

Wax pattern



Ceramic shell



Cut off & Grinding



Shot blasting



Assembly



# AUTOLOCK COUPLINGS

## Normative regulation:

MIL A-A-59326A

EN 14420-7

DIN 2828

## Sizes:

DN15 up to DN100

## Materials:

1.4408 ( SS 316 )

## Working Pressure:

25 bar / 363 psi

## Thread type:

BSPP : EN ISO228-1 / DIN ISO 228-1

BSPT : EN 10226-1 / DIN 2999-1

NPT : ANSI B 1.20.1

## Coupling Gaskets:

NBR (-30°C/+120°C)

CSM (-30°C/+125°C)

FPM (-30°C/+200°C)

EPDM (-45°C/+125°C)

## Thread Gaskets:

PU (-50°C/+100°C)

PTFE(-25°C/+250°C)

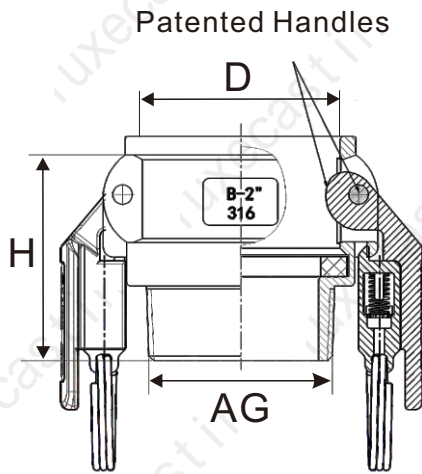
## Applications:

Chemicals

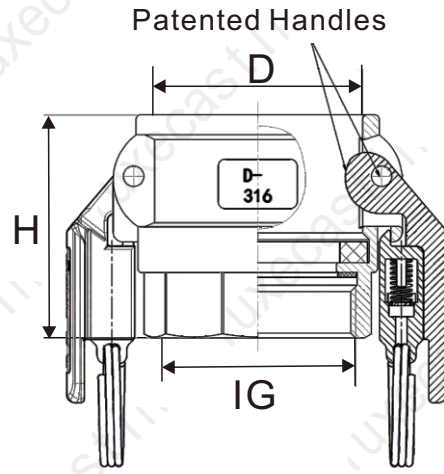
All industry

Tank Fuel Truck Equipement





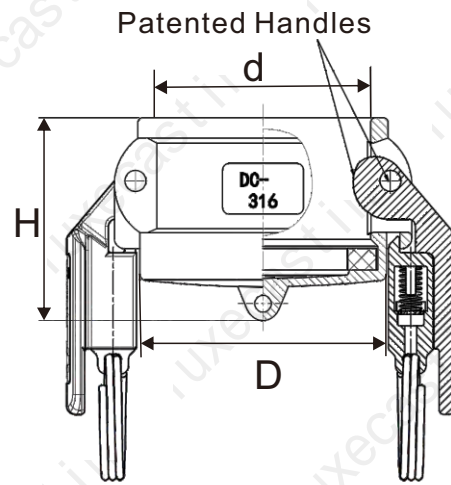
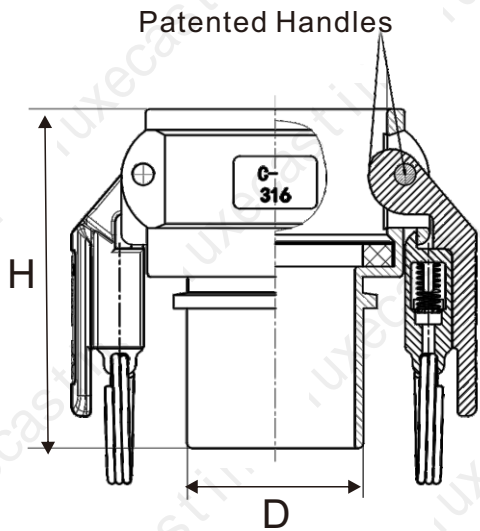
**Autolock B**



**Autolock D**

Name ( B )	AG ( Male Thread )	D ( mm )	H ( mm )
050	R2999-1/2"	24.8	43.5
075	R2999-3/4"	32.5	45
100	R2999-1"	37.3	54
125	R2999-1 1/4"	46	60.5
150	R2999-1 1/2"	54	62.5
200	R2999-2"	63.8	72
250	R2999-2 1/2"	76	75
300	R2999-3"	92.5	82
400	R2999-4"	120.3	86.5

Name ( D )	IG ( Female Thread )	D ( mm )	H ( mm )
050	1/2"	24.8	43.5
075	3/4"	32.5	45
100	1"	37.3	54
125	1 1/4"	46	60.5
150	1 1/2"	54	62.5
200	2"	63.8	72
250	2 1/2"	76	75
300	3"	92.5	82
400	4"	120.3	86.5



## CC ( According EN14420-7 )

## Autolock DC

Name ( CC )	Size	D( mm )	H( mm )
050	1/2"	15	72.6
075	3/4"	21	83.5
100	1"	27.3	98
125	1 1/4"	34	101.1
150	1 1/2"	40.6	109
200	2"	53	124
250	2 1/2"	66.7	138
300	3"	78.8	160
400	4"	104.5	168

Name ( DC )	Size	D( mm )	d( mm )	H( mm )
050	1/2"	33	24.8	35
075	3/4"	40	32.5	38.5
100	1"	46	37.3	44.5
125	1 1/4"	56	46	49.5
150	1 1/2"	64	54	52
200	2"	74	63.8	57
250	2 1/2"	87	76.5	59.5
300	3"	105	92.5	65
400	4"	134	120.3	66



## Autolock B (Male NPT Thread)

Name	Thread	Code	Weight(KG)	Gasket	Material
050	1/2"	L1022292	0.12	NBR	SS
075	3/4"	L1022295	0.2	NBR	SS
100	1"	L1022298	0.29	NBR	SS
125	1 1/4"	L1022301	0.47	NBR	SS
150	1 1/2"	L1022304	0.54	NBR	SS
200	2"	L1022307	0.67	NBR	SS
250	2 1/2"	L1022310	1.14	NBR	SS
300	3"	L1022313	1.35	NBR	SS
400	4"	L1022316	1.97	NBR	SS



## Autolock B (Male BSPT Thread)

Name	Thread	Code	Weight(KG)	Gasket	Material
050	R2999-1/2"	L1022293	0.12	NBR	SS
075	R2999-3/4"	L1022296	0.2	NBR	SS
100	R2999-1"	L1022299	0.29	NBR	SS
125	R2999-1 1/4"	L1022302	0.47	NBR	SS
150	R2999-1 1/2"	L1022305	0.54	NBR	SS
200	R2999-2"	L1022308	0.67	NBR	SS
250	R2999-2 1/2"	L1022311	1.14	NBR	SS
300	R2999-3"	L1022314	1.35	NBR	SS
400	R2999-4"	L1022317	1.97	NBR	SS



## Autolock BW welding

Name	Weld Size	Code	Weight(KG)	Gasket	Material
DN15	21.3*2.3	L1022340	0.12	NBR	SS
DN20	26.9*2.3	L1022341	0.20	NBR	SS
DN25	33.7*2.6	L1022342	0.29	NBR	SS
DN32	42.2*2.6	L1022343	0.47	NBR	SS
DN40	48.3*2.6	L1022344	0.54	NBR	SS
DN50	60.3*2.9	L1022345	0.67	NBR	SS
DN65	76.1*2.9	L1022346	1.14	NBR	SS
DN80	88.9*3.2	L1022347	1.35	NBR	SS
DN100	114.3*3.6	L1022348	1.97	NBR	SS



## Autolock C-Grooved shank

Name	Size	Code	Weight(KG)	Gasket	Material
050	1/2"	L1023232	0.12	NBR	SS
075	3/4"	L1023235	0.2	NBR	SS
100	1"	L1023238	0.29	NBR	SS
125	1 1/4"	L1023241	0.47	NBR	SS
150	1 1/2"	L1023244	0.54	NBR	SS
200	2"	L1023247	0.67	NBR	SS
250	2 1/2"	L1023250	1.14	NBR	SS
300	3"	L1023253	1.35	NBR	SS
400	4"	L1023256	1.97	NBR	SS



## Autolock C-Serrated shank

Name	Size	Code	Weight(KG)	Gasket	Material
050	1/2"	L1023234	0.12	NBR	SS
075	3/4"	L1023237	0.2	NBR	SS
100	1"	L1023240	0.29	NBR	SS
125	1 1/4"	L1023243	0.47	NBR	SS
150	1 1/2"	L1023246	0.54	NBR	SS
200	2"	L1023249	0.67	NBR	SS
250	2 1/2"	L1023252	1.14	NBR	SS
300	3"	L1023255	1.35	NBR	SS
400	4"	L1023258	1.97	NBR	SS



\* Suitable for Crimping Ferrules.

## CC ( According EN14420-7)

Name	Size	Code	Weight(KG)	Gasket	Material
050	1/2"	L1023233	0.12	NBR	SS
075	3/4"	L1023236	0.2	NBR	SS
100	1"	L1023239	0.29	NBR	SS
125	1 1/4"	L1023242	0.47	NBR	SS
150	1 1/2"	L1023245	0.54	NBR	SS
200	2"	L1023248	0.67	NBR	SS
250	2 1/2"	L1023251	1.14	NBR	SS
300	3"	L1023254	1.35	NBR	SS
400	4"	L1023257	1.97	NBR	SS



\* Suitable for safety clamps and crimping ferrules.

## Autolock D (Female NPT Thread)

Name	Thread	Code	Weight(KG)	Gasket	Material
050	1/2"	L1024333	0.13	NBR	SS
075	3/4"	L1024337	0.23	NBR	SS
100	1"	L1024341	0.31	NBR	SS
125	1 1/4"	L1024345	0.49	NBR	SS
150	1 1/2"	L1024349	0.55	NBR	SS
200	2"	L1024353	0.71	NBR	SS
250	2 1/2"	L1024357	1.01	NBR	SS
300	3"	L1024361	1.31	NBR	SS
400	4"	L1024365	2.14	NBR	SS



## Autolock D (Female BSPP Thread)

Name	Thread	Code	Weight(KG)	Gasket	Thread Gasket	Material
050	ISO 228-1/2"	L1024335	0.13	NBR	PTFE	SS
075	ISO 228-3/4"	L1024339	0.23	NBR	PTFE	SS
100	ISO 228-1"	L1024343	0.31	NBR	PTFE	SS
125	ISO 228-1 1/4"	L1024347	0.49	NBR	PTFE	SS
150	ISO 228-1 1/2"	L1024351	0.55	NBR	PTFE	SS
200	ISO 228-2"	L1024355	0.71	NBR	PTFE	SS
250	ISO 228-2 1/2"	L1024359	1.01	NBR	PTFE	SS
300	ISO 228-3"	L1024363	1.31	NBR	PTFE	SS
400	ISO 228-4"	L1024367	2.14	NBR	PTFE	SS



## Autolock DC

Name	Size	Code	Weight(KG)	Gasket	Material
050	1/2"	L1028269	0.13	NBR	SS
075	3/4"	L1028270	0.18	NBR	SS
100	1"	L1028271	0.25	NBR	SS
125	1 1/4"	L1028272	0.43	NBR	SS
150	1 1/2"	L1028273	0.51	NBR	SS
200	2"	L1028274	0.76	NBR	SS
250	2 1/2"	L1028275	0.84	NBR	SS
300	3"	L1028276	1.01	NBR	SS
400	4"	L1028277	1.73	NBR	SS





## Gasket-NBR

Name	Size	Code	OD	ID	H	Colour	Material
DN15	1/2"	L1090017	26.5	17.5	4.0	Black	NBR
DN20	3/4"	L1090076	35	22	5.5	Black	NBR
DN25	1"	L1090077	40	27	6.4	Black	NBR
DN32	1 1/4"	L1090078	50	35	6.4	Black	NBR
DN40	1 1/2"	L1090079	56	41	6.4	Black	NBR
DN50	2"	L1090080	67	51	6.4	Black	NBR
DN65	2 1/2"	L1090081	80	60	6.4	Black	NBR
DN80	3"	L1090082	95	76	6.4	Black	NBR
DN100	4"	L1090083	124	102	6.4	Black	NBR



## Gasket-EPDM

Name	Size	Code	OD	ID	H	Colour	Material
DN15	1/2"	L1090099	26.5	17.5	4.0	Black ●	EPDM
DN20	3/4"	L1090100	35	22	5.5	Black ●	EPDM
DN25	1"	L1090101	40	27	6.4	Black ●	EPDM
DN32	1 1/4"	L1090102	50	35	6.4	Black ●	EPDM
DN40	1 1/2"	L1090103	56	41	6.4	Black ●	EPDM
DN50	2"	L1090104	67	51	6.4	Black ●	EPDM
DN65	2 1/2"	L1090105	80	60	6.4	Black ●	EPDM
DN80	3"	L1090106	95	76	6.4	Black ●	EPDM
DN100	4"	L1090107	124	102	6.4	Black ●	EPDM



## Gasket-FPM (Viton®)

Name	Size	Code	OD	ID	H	Colour	Material
DN15	1/2"	L1090135	26.5	17.5	4.0	Green	FPM
DN20	3/4"	L1090136	35	22	5.5	Green	FPM
DN25	1"	L1090137	40	27	6.4	Green	FPM
DN32	1 1/4"	L1090138	50	35	6.4	Green	FPM
DN40	1 1/2"	L1090139	56	41	6.4	Green	FPM
DN50	2"	L1090140	67	51	6.4	Green	FPM
DN65	2 1/2"	L1090141	80	60	6.4	Green	FPM
DN80	3"	L1090142	95	76	6.4	Green	FPM
DN100	4"	L1090143	124	102	6.4	Green	FPM



## Gasket-CSM (Hypalon®)

Name	Size	Code	OD	ID	H	Colour	Material
DN15	1/2"	L1090147	26.5	17.5	4.0	Green ●	CSM
DN20	3/4"	L1090148	35	22	5.5	Green ●	CSM
DN25	1"	L1090149	40	27	6.4	Green ●	CSM
DN32	1 1/4"	L1090150	50	35	6.4	Green ●	CSM
DN40	1 1/2"	L1090151	56	41	6.4	Green ●	CSM
DN50	2"	L1090152	67	51	6.4	Green ●	CSM
DN65	2 1/2"	L1090153	80	60	6.4	Green ●	CSM
DN80	3"	L1090154	95	76	6.4	Green ●	CSM
DN100	4"	L1090155	124	102	6.4	Green ●	CSM



## Gasket PTFE-NBR

Name	Size	Code	OD	ID	H	Colour	Material
DN15	1/2"	L1090037	26.5	17.5	4.0	White-Black ●	PTFE-NBR
DN20	3/4"	L1090219	35	22	5.5	White-Black ●	PTFE-NBR
DN25	1"	L1090220	40	27	6.4	White-Black ●	PTFE-NBR
DN32	1 1/4"	L1090221	50	35	6.4	White-Black ●	PTFE-NBR
DN40	1 1/2"	L1090222	56	41	6.4	White-Black ●	PTFE-NBR
DN50	2"	L1090223	67	51	6.4	White-Black ●	PTFE-NBR
DN65	2 1/2"	L1090224	80	60	6.4	White-Black ●	PTFE-NBR
DN80	3"	L1090225	95	76	6.4	White-Black ●	PTFE-NBR
DN100	4"	L1090226	124	102	6.4	White-Black ●	PTFE-NBR



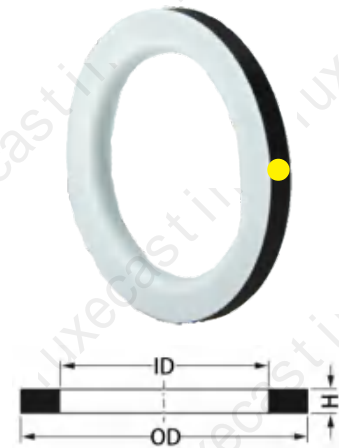
## Gasket PTFE-EPDM

Name	Size	Code	OD	ID	H	Colour	Material
DN15	1/2"	L1090195	26.5	17.5	4.0	White-Black ●	PTFE-EPDM
DN20	3/4"	L1090196	35	22	5.5	White-Black ●	PTFE-EPDM
DN25	1"	L1090197	40	27	6.4	White-Black ●	PTFE-EPDM
DN32	1 1/4"	L1090198	50	35	6.4	White-Black ●	PTFE-EPDM
DN40	1 1/2"	L1090199	56	41	6.4	White-Black ●	PTFE-EPDM
DN50	2"	L1090200	67	51	6.4	White-Black ●	PTFE-EPDM
DN65	2 1/2"	L1090201	80	60	6.4	White-Black ●	PTFE-EPDM
DN80	3"	L1090202	95	76	6.4	White-Black ●	PTFE-EPDM
DN100	4"	L1090203	124	102	6.4	White-Black ●	PTFE-EPDM



## Gasket PTFE-FPM

Name	Size	Code	OD	ID	H	Colour	Material
DN15	1/2"	L1090207	26.5	17.5	4.0	White-Black	PTFE-FPM
DN20	3/4"	L1090208	35	22	5.5	White-Black	PTFE-FPM
DN25	1"	L1090209	40	27	6.4	White-Black	PTFE-FPM
DN32	1 1/4"	L1090210	50	35	6.4	White-Black	PTFE-FPM
DN40	1 1/2"	L1090211	56	41	6.4	White-Black	PTFE-FPM
DN50	2"	L1090212	67	51	6.4	White-Black	PTFE-FPM
DN65	2 1/2"	L1090213	80	60	6.4	White-Black	PTFE-FPM
DN80	3"	L1090214	95	76	6.4	White-Black	PTFE-FPM
DN100	4"	L1090215	124	102	6.4	White-Black	PTFE-FPM



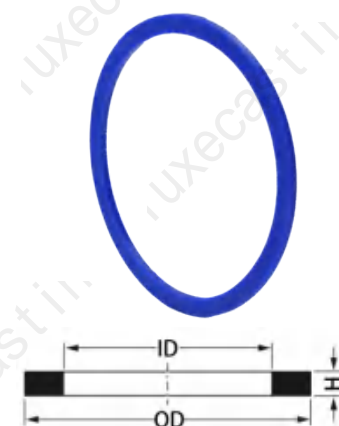
## Thread Gasket-PTFE

Name	Size	Code	OD	ID	H	Colour	Material
DN15	1/2"	L1090171	26	19	1.5	White	PTFE
DN20	3/4"	L1090172	33	24	2	White	PTFE
DN25	1"	L1090173	42	33	2	White	PTFE
DN32	1 1/4"	L1090174	48	39	2	White	PTFE
DN40	1 1/2"	L1090175	60	49	2	White	PTFE
DN50	2"	L1090176	76	63	2	White	PTFE
DN65	2 1/2"	L1090177	88	77	2.5	White	PTFE
DN80	3"	L1090178	114	100	3	White	PTFE
DN100	4"	L1090179	124	102	3	White	PTFE



## Thread Gasket-PU

Name	Size	Code	OD	ID	H	Colour	Material
DN15	1/2"	L9001873	26	19	1.5	BLUE	PU
DN20	3/4"	L9001874	33	24	2	BLUE	PU
DN25	1"	L9001875	42	33	2	BLUE	PU
DN32	1 1/4"	L9001876	48	39	2	BLUE	PU
DN40	1 1/2"	L9001877	60	49	2	BLUE	PU
DN50	2"	L9001878	76	63	2	BLUE	PU
DN65	2 1/2"	L9001879	88	77	2.5	BLUE	PU
DN80	3"	L9001880	114	100	3	BLUE	PU
DN100	4"	L9001881	124	102	3	BLUE	PU



## Thread Gasket -NBR

Name	Size	Code	OD	ID	H	Colour	Material
DN15	1/2"	L9001825	26	19	1.5	Black	NBR
DN20	3/4"	L9001826	33	24	2	Black	NBR
DN25	1"	L9001827	42	33	2	Black	NBR
DN32	1 1/4"	L9001828	48	39	2	Black	NBR
DN40	1 1/2"	L9001829	60	49	2	Black	NBR
DN50	2"	L9001830	76	63	2	Black	NBR
DN65	2 1/2"	L9001831	88	77	2.5	Black	NBR
DN80	3"	L9001832	114	100	3	Black	NBR
DN100	4"	L9001833	124	102	3	Black	NBR



## Handle Set: + Ring + Pin + Cilp

Name	Size	Code	Material
DN15-20	1/2"-3/4"	L1009103	SS
DN25	1"	L1009104	SS
DN32-65	1 1/4"-2 1/2"	L1009105	SS
DN80-100	3"-4"	L1009106	SS



## Pull Ring

Name	Size	Code	Material
DN15-25	1/2"-1"	L1090289	SS
DN32-65	1 1/4"-2 1/2"	L1090290	SS
DN80-100	3"-4"	L1090291	SS



## Pin

Name	Size	Code	Material
DN15-20	1/2"-3/4"	L1090233	SS
DN25	1"	L1090234	SS
DN32-65	1 1/4"-2 1/2"	L1090237	SS
DN80-100	3"-4"	L1090238	SS



## Safety Clip

Name	Code	Material
SAFETY CLIP	L1090046	SS





# Luxecasting International Group

Distribution Center Germany

Production Center Germany

• Distribution Center Poland

Production Center China

## Production Center :

LUXECASTING Machinery +86 795 7066 681

LUXECASTING Germany +49 5232 9226 0

## Distribution Center :

LUXECASTING Europe +49 210 450 839 21

LUXECASTING Poland +48 503 834 570

info@luxecasting.com  
[www.luxecasting.com](http://www.luxecasting.com)